



Professional streetlight luminaire for LED light sources.

TECHNICAL DATA	Mounting: on pillar, on outriggers Body: high pressure die-cast aluminum Lateral Surface Wind Exposed: 0.039 m ² Colour: gray Diffuser: tempered glass
ELECTRICAL DATA	Power supply efficiency: >95% Power: 220-240V 50/60Hz Includes light source: yes Type of equipment: ED Electrical connection: max 3x2,5 mm ² wire, max 2x2,5 mm ² wire
OPTICAL DATA	Way of lighting: direct Type of optic: O2 - for express roads, O3 - for local roads, O4 - for town roads, O5 - for residential area roads, O6 - for pedestrian crossings, O7 - for area lighting
ADDITIONAL INFO	Available on request: DALI, DIM 1..10V, LLOC, twilight sensor, knife switch, 10kV surge protection, NTC, access to the driver chamber without the use of tools Operating temperature range: -35° C ... +45° C Other remarks: mounting on pillars or outriggers with a diameter of 42-60mm Lifetime (L80B10): 80 000 h Lifetime (TM21 L90B10): 60 000 h
GENERAL DATA	Warranty: 3 years + 2 years after project registration Application: express roads, local roads, town roads, residential area roads, pedestrian crossings, area lighting, avenues, promenade, cycle paths



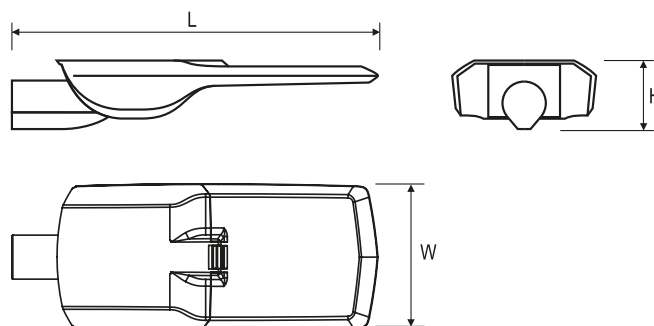
Code	Power LED [W]	Luminaire power [W]	Lumen LED [lm]	Lumen luminaire [lm]	Efficacy [lm/W]	Colour temperature [K]	CRI/Ra
130222.5L01X.0X1	25	31	3150	2850	92	4000	>70
130222.5L02X.0X1	25	31	3350	3050	98	5700	>70
130222.5L13X.0X1	34	39	4150	3740	96	4000	>70
130222.5L14X.0X1	34	39	4450	4050	104	5700	>70
130222.5L04X.0X1	50	57	6250	5650	99	4000	>70
130222.5L05X.0X1	50	57	6650	6000	105	5700	>70
130222.5L07X.0X1	76	84	9350	8450	101	4000	>70
130222.5L08X.0X1	76	84	10000	9000	107	5700	>70
130222.5L10X.0X1	100	110	12500	11250	102	4000	>70
130222.5L11X.0X1	100	110	13300	12000	109	5700	>70

130222.5L01 .0 1

1 I 2 II	Protection Class 1 I 2 II	Type of optic 1 O2 - for express roads 2 O3 - for local roads 3 O4 - for town roads 4 O5 - for residential area roads 5 O6 - for pedestrian crossings 6 O7 - for area lighting
-------------	---------------------------------	--

Luminous flux tolerance +/- 10%.

Code	Dimensions [mm] L W H	Pallet quantity	Quantity in package	Net weight [kg]
130222.5L01X.0X1	550 250 100	20	1	6.8
130222.5L02X.0X1	550 250 100	20	1	6.8
130222.5L13X.0X1	550 250 100	20	1	6.8
130222.5L14X.0X1	550 250 100	20	1	6.8
130222.5L04X.0X1	550 250 100	20	1	6.8
130222.5L05X.0X1	550 250 100	20	1	6.8
130222.5L07X.0X1	550 250 100	20	1	6.8
130222.5L08X.0X1	550 250 100	20	1	6.8
130222.5L10X.0X1	550 250 100	20	1	6.8
130222.5L11X.0X1	550 250 100	20	1	6.8



OTHER PICTURES



ACCESSORIES

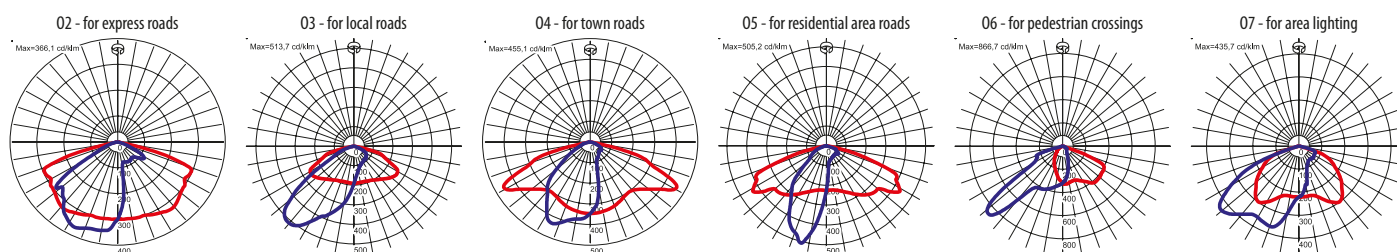


150170.00817 Reducer 60/76 mm



150170.00818 Wall bracket ø60
150173.00906

LIGHT BEAM CURVES



Luminous flux tolerance +/- 10%.

OTHER PROJECTS

Sława, Lubuskie voivodeship, Poland

Zjednoczenia Avenue, Zielona Góra, Poland