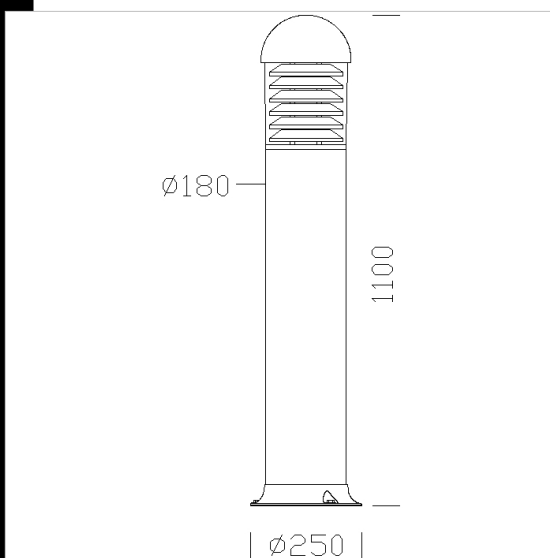


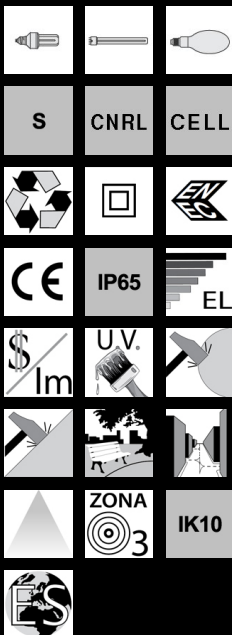
1230 Faro - high version



Housing: In extruded aluminium, cylindrical section, Ø 180.
 Diffuser: In vandal resistant and V2 self-extinguishing clear polycarbonate, UV-stabilized. Louvre in anodized 99.85 aluminium.
 Painting: In several stages. First stage: black epoxy cationic electrocoating, resistant to corrosive and saline environments. Second stage: UV-stabilizing primer, and lastly rough finish with graphite acrylic coating.
 Lampholder: In white polycarbonate, with phosphor bronze contacts (FLC), socket 2G11. In ceramics with silver-plated contacts. Socket E27.
 Electric gear: 230-240V/50Hz power supply. Hard wire, 0.50 sqmm cross-section, PVC-HT sheath resistant up to 90°C, according to CEI 20-20 standard, or silicone flexible wire terminated with quick-connect clamps in admiralty brass, glass braid, 1.0 sqmm cross-section. 2P+T terminal block, maximum allowed lead cross-section of 4 sqmm.
 Standard supply: With base and anchor bolts to bury. Supplied with socket-pin connector for quick installation and air recycle valve.
 Regulations: Produced according to applicable EN60598-1 CEI 34-21 standards, IP65IK10 degree of protection in compliance with EN 60529 standards. They have obtained ENEC European Certificate of Conformity. Non-polluting louvre, ideal for installation in zone 3 (UNI10819).



Code	Gear	Kg	Watt	Base	Lamps	Colour
510034-00	CNR-L	8.10	JM-E 70	E27	4700lm-4000K-Ra 1b	SANDBLASTED SILVER
510038-00	CNR-L	7.07	SAP-E 70	E27	--	GRAPHITE
510003-00	S	5.93	MAX 75	E27	--	GRAPHITE
510036-08	CELL	6.33	FLC 2x18L	2G11	1200lm-3000K-Ra 1b	SANDBLASTED SILVER
510033-00	CNR-L	8.00	JM-E 70	E27	4700lm-4000K-Ra 1b	GRAPHITE
510004-00	S	5.93	MAX 75	E27	--	SANDBLASTED SILVER
510041-00	CNR-L	7.07	SAP-E 70	E27	--	SANDBLASTED SILVER
510039-08	CELL	6.65	FLC 2x18L	2G11	1200lm-3000K-Ra 1b	GRAPHITE



Download
 DXF 2D
 - 1230i.dxf
 3DS
 - disano_1230_faro.3ds
 3DM
 - disano_1230_faro.3dm
 Montaggi
 - faro_faro3_faro4_tn.pdf
 - 1230.dxf