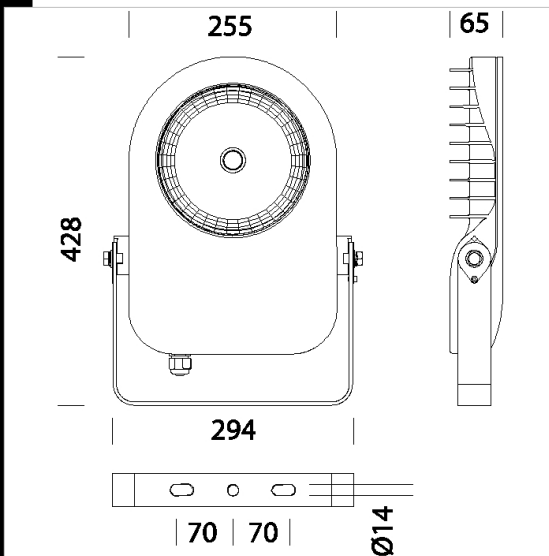
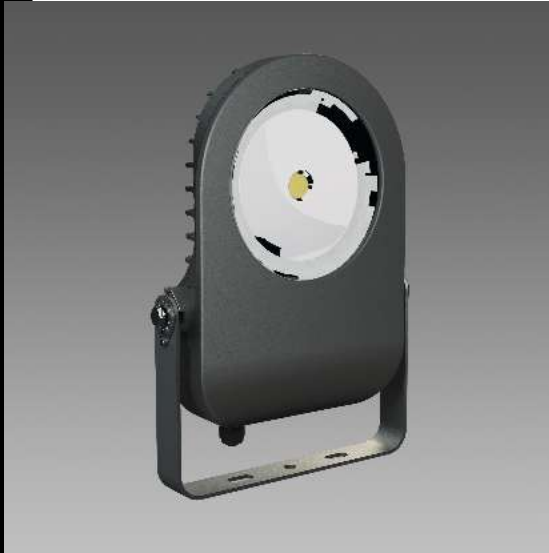


1715 Cripto COB medium - Wide beam



New technical tools are capable of creating a unique symbiosis between light and architecture. Technical advancements and the use of LEDs enable to highlight historical monuments or new infrastructure with minimally invasive systems without altering original colours or materials. With light we can therefore illuminate and enhance cultural heritage and landmarks to help define the identity of a place. Disano presents Cripto, a spotlight designed to be a possible retrofit solution for more classic models. The excellent performance of this spotlight in terms of energy savings and luminous efficiency combine with a long life of 50000 hours and materials with IP66 protection for outdoor installation.

Its advanced technology and functional design are conceived to reduce consumptions and fulfil the increasing need to replace obsolete fixtures and meet the growing attention towards energy savings.

HOUSING: in die-cast aluminium with cooling fins.

DIFFUSER: tempered glass, 4 mm thick, resistant to thermal shock and impacts.

COATING: the first stage includes grey epoxy e-coating, resistant to corrosion and saline environments. Then the fixture is coated with an acrylic based UV-stabilised resin

STANDARD SUPPLY: complete with galvanised and coated bracket. Electronic safety device to protect the LED module and the related ballast compliant with EN 61547. It works in two modes: - differential mode: surge between power cables and between the phase and neutral. - common mode: surge between power, L/N and ground cables or between the fixture's body if it is of class II and installed on a metal pole. Upon request: protection up to 10KV. Acetic acid salt spray coating pursuant to standard UNI EN ISO 9227 "Corrosion Tests in Artificial Atmosphere". Upon request: with dimmable power supply 1-10V.

REFLECTOR: in pre-anodised aluminium

Regulations: Produced according to applicable EN60598-1 CEI 34-21 standards, IP66IK08 degree of protection according to EN 60529 standards. These products can be installed on normally inflammable surfaces.

RADAR SENSOR (subcode -19): an electronic device that immediately detects any presence entering its range. When the sensor reads movement inside its range, lights will stay on. When it no longer detects movement within its range, lights will turn off after a pre-set time.

LED: Latest generation LED COB technology Ta-20 +40°C.

LED 4000K - 6300lm - CRI 80 - 1050mA - 54W - Low flicker - Surge protector 1/2Kv

LED 4000K - 7700lm - CRI 90 - 1400mA - 52W - Low flicker - Surge protector 1/2Kv

LED 4000K - 10000lm - CRI 80 - 1400mA - 77W - Surge protector 2/4Kv

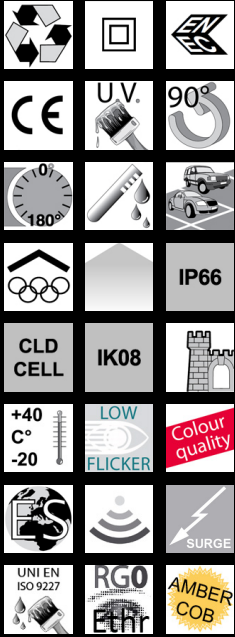
LED COB AMBER 2200K - 7520lm - 1400mA - 52W - Surge protector 1/2Kv

Photobiological safety class: exempt group EN62471

Power factor: >= 0.9

Luminous flux maintenance 80%: 50000h (L80B20)

Wind surface: L:205cm² F:855cm².



Download

DXF 2D

- 1715.dxf

3DS

- disano\_1715\_cripto\_medium.3ds

3DM

- disano\_1715\_cripto\_medium.3dm

Montaggi

- cripto.pdf

Code	Gear	Kg	Watt	Base	Lamps	Colour
413063-00	CLD CELL	4.02	LED COB 54W	-	7700lm-4000K-CRI 90	SANDBLASTED SILVER
413062-00	CLD CELL	4.04	LED COB 54W	-	7700lm-4000K-CRI 90	GRAPHITE
413060-00	CLD CELL	4.00	LED COB 52W	-	6300lm-4000K-CRI 90	GRAPHITE
413061-00	CLD CELL	4.00	LED COB 52W	-	6300lm-4000K-CRI 90	SANDBLASTED SILVER
413064-00	CLD CELL	4.12	LED COB 77W	-	10000lm-4000K-CRI 90	GRAPHITE
413065-00	CLD CELL	4.08	LED COB 77W	-	10000lm-4000K-CRI 90	SANDBLASTED SILVER
413060-73	CLD CELL	3.94	LED COB AMBER	-	7520lm-2200K - amber-	GRAPHITE
413061-73	CLD CELL	4.00	LED COB AMBER	-	7520lm-2200K - amber-	SANDBLASTED SILVER