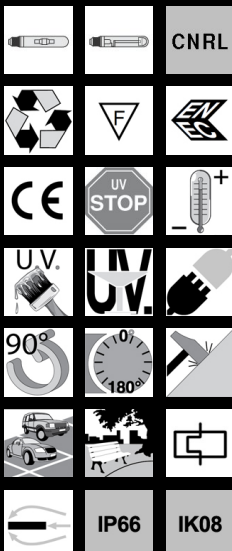
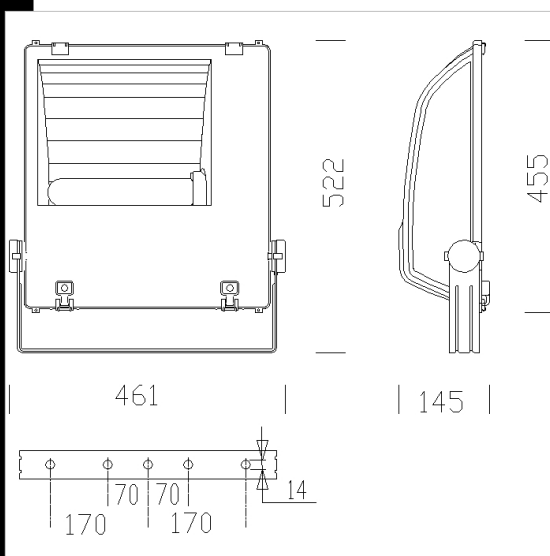


1803 Rodio 3 asymmetric



Housing without frame: Die-cast aluminium with cooling fins.
 Reflector: Asymmetric; made of 3µ thick 99.85 anodised and polished hammered aluminium.
 Diffuser: Tempered glass 5 mm thick, resistant to impact and thermal shock (UNI EN 12150-1:2001 tests).
 Coating: Graphite grey polyester powder coating applied, resistant to corrosive and saline environments.
 Lampholder: Ceramic with silver-plated contacts
 Electric gear: 230V/50Hz power supply with heat protection. Flexible wire terminated with admiralty brass clamps, fibreglass braid insulation, cross section: 1sqmm. 2P+T terminal block (maximum allowed lead cross-section: 4sqmm).
 Equipment: Silicone rubber gasket. Fibreglass nylon cable gland, Ø 1/2 " gas. Ø 1/2inch gas. Corrosion and gripping resistant retained stainless steel screws. Steel bracket with protractor scale. The front frame opens on hinges (no tools required) and stays attached to the fixture housing. Equipped with air circulation valve. Supplied with knife switch. Latches with safety screw.
 Regulations: Manufactured in compliance with EN60598 - CEI 34 - 21 standards. The level of protection complies with the EN60529 standard.
 On request, asymmetric reflector 55°
 Wind surface: 1900 cm².

Download
 DXF 2D
 - 1803.dxf
 3DS
 - rodiogrande.3ds
 3DM
 - rodiogrande.3dm
 Montaggi
 - rodio_1803_1804.pdf



Code	Gear	Kg	Watt	Base	Lamps	Colour
414716-01	CNR-L	10.10	SAP-T 250	E40	33000lm-2000 K-Ra 4	GRAPHITE
414715-01	CNR-L	9.10	SAP-T 150	E40	17200lm-2000K-Ra 4	GRAPHITE
414717-01	CNR-L	11.80	SAP-T 400	E40	56000lm-2000K-Ra 4	GRAPHITE
414719-00	CNR-L	9.94	CDM-T MW 360	E40	35270lm-4200K-CRI 88	GRAPHITE
414715-00	CNR-L	9.10	SAP-T 150	E40	17200lm-2000K-Ra 4	GRAPHITE
414718-01	CNR-L	9.30	CDM-T MW 230	E40	21900lm-4200K-CRI 88	GRAPHITE
414716-00	CNR-L	9.38	SAP-T 250	E40	33000lm-2000 K-Ra 4	GRAPHITE
414719-01	CNR-L	10.54	CDM-T MW 360	E40	35270lm-4200K-CRI 88	GRAPHITE
414717-00	CNR-L	11.14	SAP-T 400	E40	56000lm-2000K-Ra 4	GRAPHITE
414718-00	CNR-L	8.78	CDM-T MW 230	E40	21900lm-4200K-CRI 88	GRAPHITE

Accessories



- 333 pole mounting diam.60



- 334 pole mounting diam. 76



- 403 protective guard



- 404 baffle louvre



- 42 adjustable arm