

## G Type Domestic Consumer Units

The consumer units type: G13/-, G26/- and G39/- are pre-wired and ready for installation.

The enclosures are made of halogen-free plastic material (colour RAL 9010). Tested, approved and certified by SEMKO in accordance with standard BS EN 60439-3 for rated current of 80A, 50 Hz, marked voltage 400V and rated insulation voltage 690V. This means that the products are naturally CE marked, but also S-marked.

Back cover is designed with a number of knockouts, which correspond to most demands and needs. The products meet the requirement of IP41 and designed for touch protection IP20, using terminal cover, according to EN60529.

Ingeniously designed to facilitate the installation and to create an almost unlimited working space. With simple snap fasteners the chassis is held in place throughout normal use, but during installation or adjustment, it can all be folded down 90°, which means that you get a good overview and a very comfortable work space for wiring and laying of cables. This function is, in addition to the above benefits, a great help for the final assembly of the outgoing cables.



### Dimensions

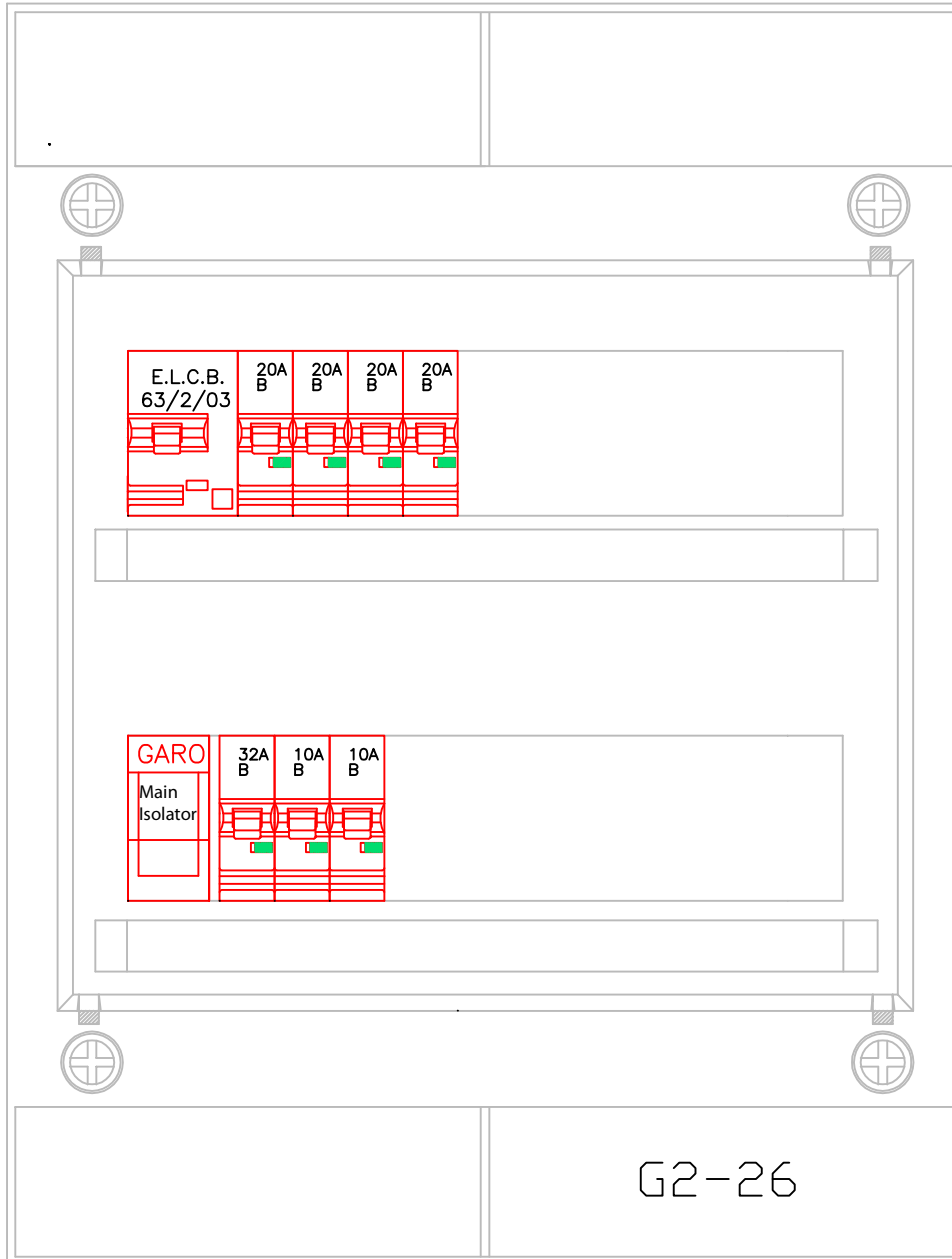
TYPE	WIDTH	HEIGHT	DEPTH
	MM	MM	MM
<b>G13/-</b>	300	245	125
<b>G26/-</b>	300	370	125
<b>G39/-</b>	300	495	125

### Available Accessories

**Blanking Strip** - Covers the empty spaces in the front cover of distribution enclosures. Made of plastic which can easily be cut into the desired size. **Part Numbers:** TC/1A (4.5 modules); ZA2W (57 modules)

**HEADER BOX** - Facilitates "Maximum Height" requirements for Domestic Consumer Units when fitted over G--Type boards. **Part Number:** G13/TOP

**CONNECTOR SET** - for linking two or more consumer units together. **Part Number:** G-CONN.



# Mounting & Assembly of G type plastic consumer units

FIG 1

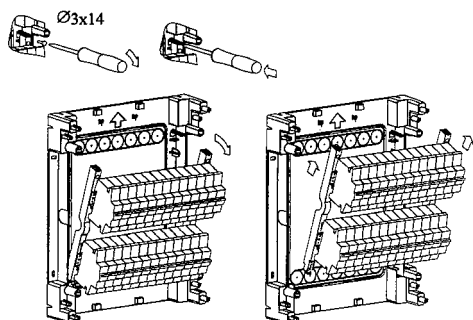


FIG 6

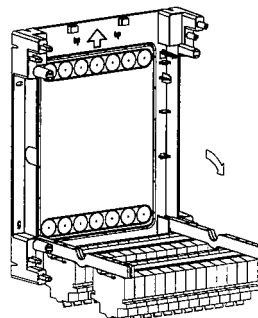
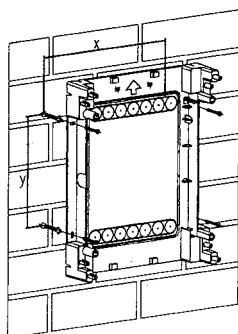


FIG 2



Screw holes for mounting

Type	X	Y
1-13	272	83
2-26	272	208
3-39	272	333

FIG 7

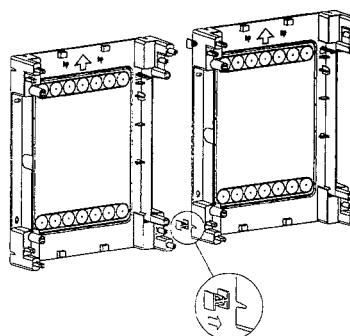


FIG 3

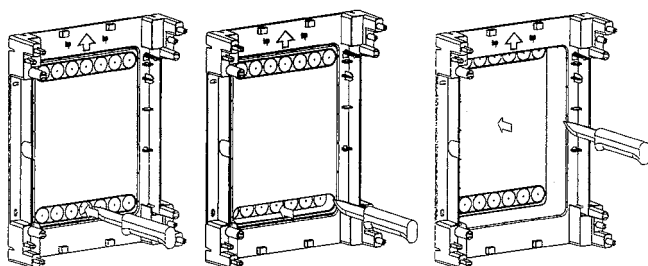


FIG 8

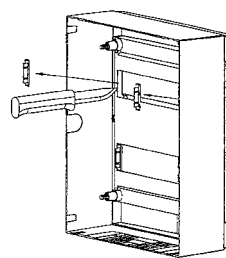


FIG 4

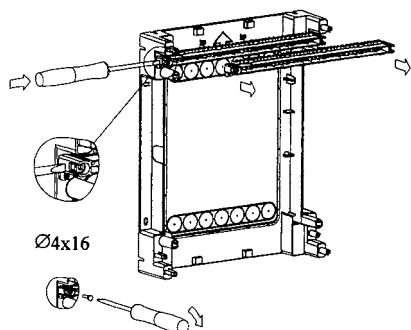


FIG 9

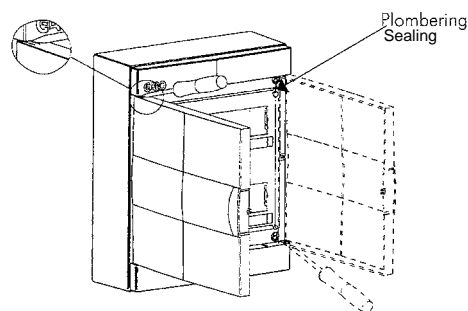


FIG 5

