

# 2W SMD LED High Voltage Triangular Cabinet Downlight

## R3011LED240

Please read instructions before commencing installation and retain for future reference.

### Specification:

220V-240V 2W cabinet light in triangular surround suitable for surface or recessed mounting  
No need for driver  
Protection against electric shock: Class II

Lamp type:	2W SMD LEDs
Colour temperature:	3500K
Dimensions:	Width 120mm, height 140mm, depth 44mm
Temperature range:	-20°C < ta < 40°C
Supply:	220-240VAC
Cut out:	55mm
Weight:	0.25kg

Complete with 1.5m Cable  
Warning! To prevent overheating, the fitting must not be covered by thermal insulation

Complies with EN60598 (BS4533)

### Installation:

!Electrical products can cause death or injury, or damage to property. This product must be installed only by a competent electrician.

- 1 Ensure mains supply is switched off before commencing work
- 2 Remove circular fitting body from triangular surround
- 3 Choose suitable location for mounting the fitting, mark appropriate fixing points on wall or ceiling; check that fixings will not impinge on concealed cables or pipes before fixing the fitting
- 4 Fix surround to surface with screws provided
- 5 Connect cables brown (Live) and blue (Neutral) to supply
- 6 Push fitting body into place in triangular surround

Note: for recessed installation, make 55 mm cut-out in mounting surface and push in circular fitting body into place, discard triangular surround.

### Information for the Product user

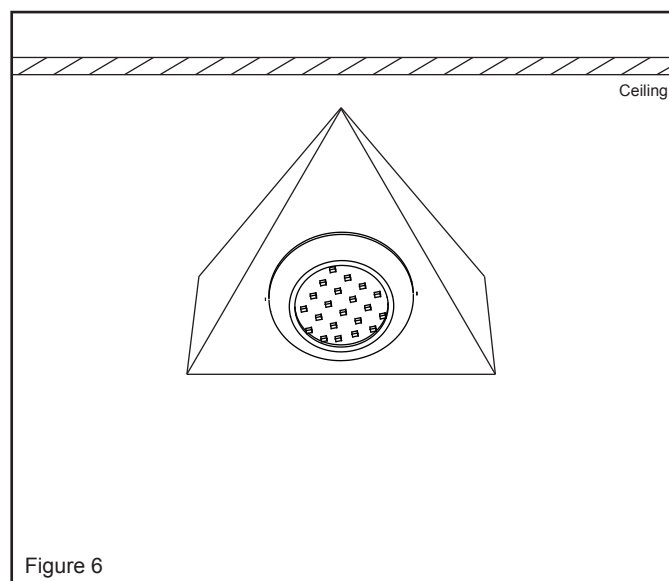
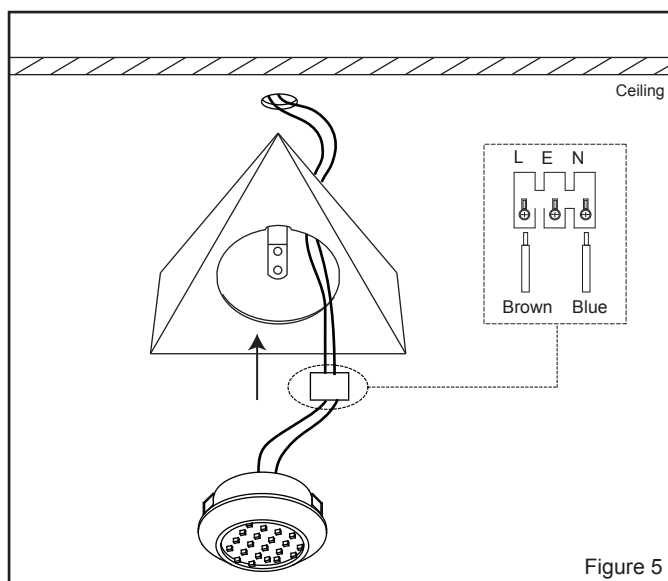
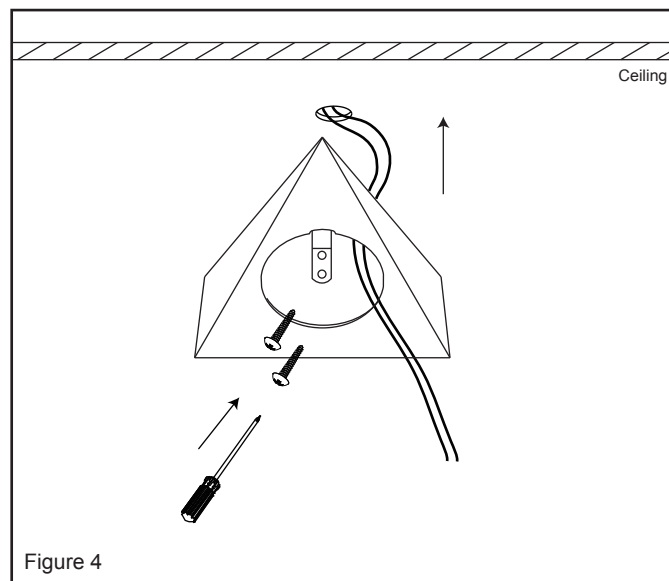
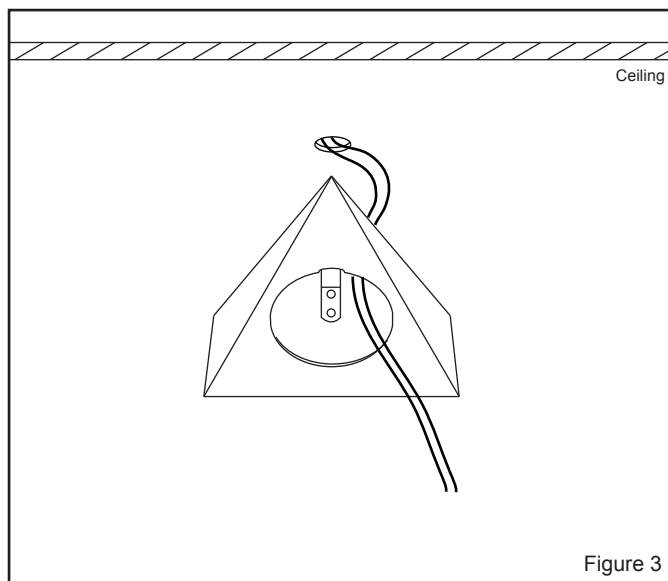
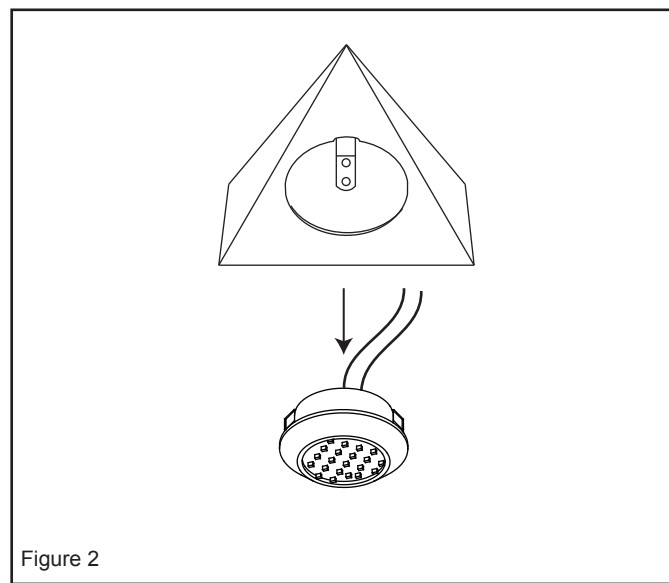
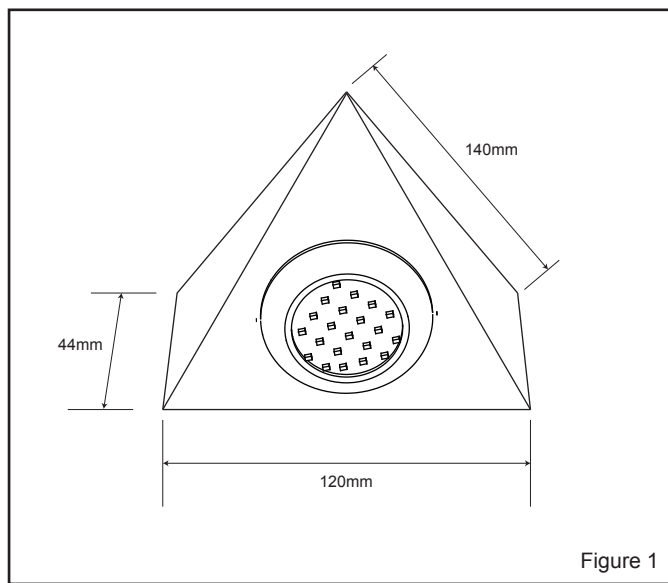
1. Please note the requirement to dispose of Waste Electrical & Electronic Equipment separately from household waste (WEEE marked with crossed out wheelee bin symbol).
2. Please consider your role in contributing to re-use and recycling by returning this product at end of life to a collection centre for waste electrical equipment or a Civic Amenity site, or to a retail outlet from which you are purchasing a replacement.
3. This equipment may contain substances that are hazardous to health and the environment if disposed of carelessly. It is important that it is separated from normal household waste and recycled in the WEEE chain
4. The "crossed out wheelee bin symbol" on a product indicates this equipment must not be disposed of in normal household waste, but should be disposed of according to local WEEE regulations

### The Installation must be carried out by an electrician

LED Group  
Western Retail Park  
Nangor Road  
Dublin 12  
Ireland

Tel: +353 1 7099000  
Fax: +353 1 7099060  
Email: [info@led.ie](mailto:info@led.ie)  
Website: [www.led.ie](http://www.led.ie)





**The Installation must be carried out by an electrician**

LED Group  
Western Retail Park  
Nangor Road  
Dublin 12  
Ireland

Tel: +353 1 7099000  
Fax: +353 1 7099060  
Email: info@led.ie  
Website: www.led.ie

