

PILGRIM GU10 SPOTLIGHT

RPLGU101-03 1x50W**RPLGU102-03 2x50W****RPLGU103-03 3x50W****RPLGU104-03 4x50W**

PLEASE READ INSTRUCTION BEFORE COMMENCING INSTALLATION AND RETAIN FOR FUTURE REFERENCES.
! Electrical products can cause death or injury, or damage to property. If in any doubt about the installation or use of this product, consult a competent electrician

Note:

Product technical information and specification may change over time without prior notification
For the latest technical information please visit our web site www.ledgrouprobust.com or robustdirect.com

Specifications

Model No:	RPLGU101	RPLGU102	RPLGU103	RPLGU104
Diameter:	Ø110mm	NA	Ø245	NA
Length:	NA	380mm	NA	900mm
Width:	NA	120mm	NA	110mm
Depth:	125mm	120mm	125mm	125mm
Weight:	0.32kg	0.54kg	1.0kg	0.65kg
Voltage:	220-240V	220-240V	220-240V	220-240V
Cap type:	GU10, Max. 50W	GU10, Max. 50W	GU10, Max. 50W	GU10, Max. 50W
Ta Range:	-20°C < ta < +40°C	-20°C < ta < +40°C	-20°C < ta < +40°C	-20°C < ta < +40°C
Safety Class:	Class I	Class I	Class I	Class I
Warranty:	2 years	2 years	2 years	2 years

Complies with EN60598 (BS4533)

Suitable for mounting on normally flammable surface

Minimum distance from illuminated object is 1 metre

Note: Lamps not provided

Installation

- 1 Ensure mains supply is switched off before commencing work
- 2 Remove bracket from fitting
- 3 Mark fixing position on the ceiling. Before cutting, ensure that the holes do not impinge on joists, pipe work, cables or other building services. Mount bracket on the ceiling using the screws provided
- 4 Connect supply: Live/ Brown to L, Neutral/ Blue to N and Earth Yellow/Green to E
- 5 Attach the fitting to the bracket, ensure it is secure
- 6 Turn on the light by pressing the button on the fitting
- 7 Lamp installation and replacement.

Ensure mains supply is off! When operating the luminaire is too hot to touch. Switch off and allow to cool before undertaking any maintenance work.

Information for the Product user:

1. Please note the requirement to dispose of Waste Electrical & Electronic Equipment separately from household waste (WEEE marked with crossed out wheellie bin symbol).
2. Please consider your role in contributing to re-use and recycling by returning this product at end of life to a collection centre for waste electrical equipment or a Civic Amenity site, or to a retail outlet from which you are purchasing a replacement.
3. This equipment may contain substances that are hazardous to health and the environment if disposed of carelessly. It is important that it is separated from normal household waste and recycled in the WEEE chain
4. The "crossed out wheellie bin symbol" on a product indicates this equipment must not be disposed of in normal household waste, but should be disposed of according to local WEEE regulations

The Installation must be carried out by an electrician

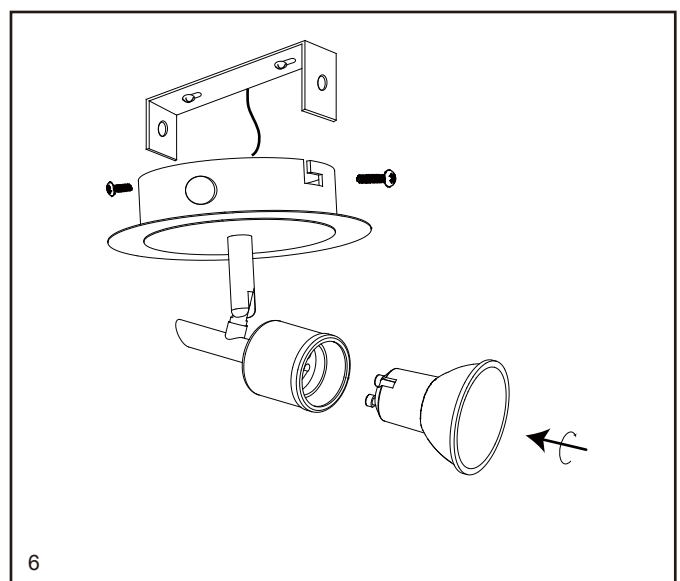
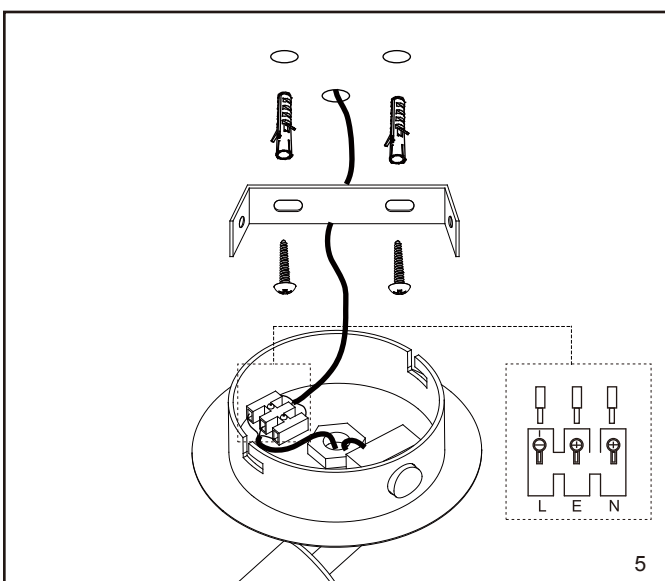
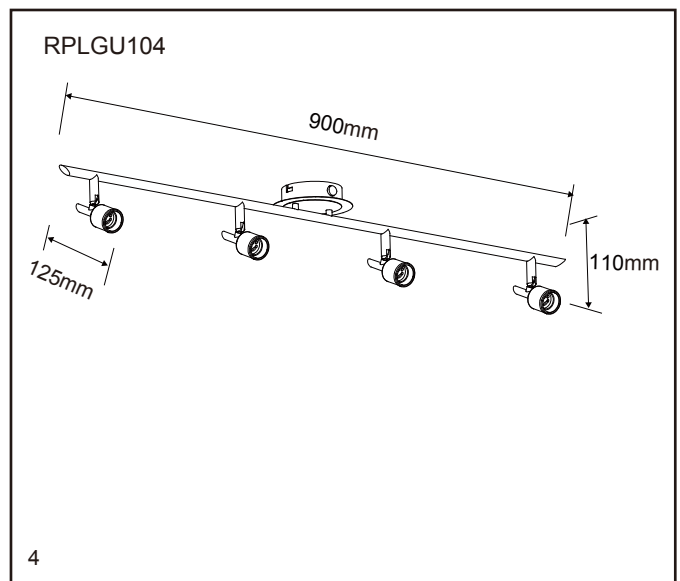
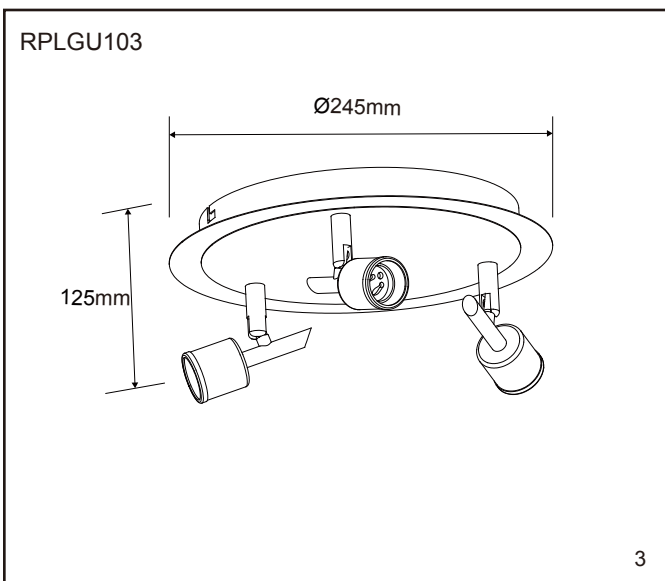
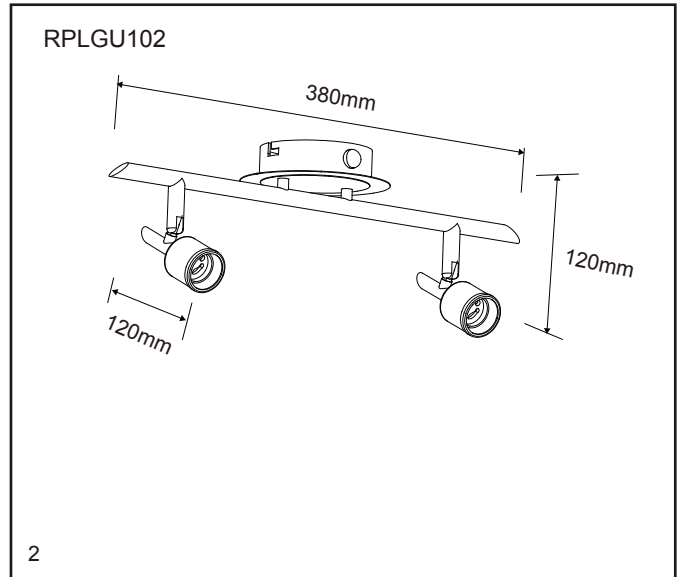
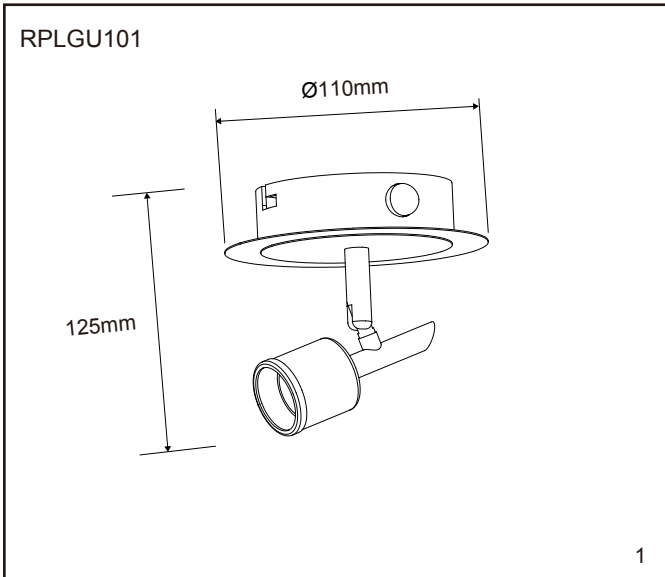
LED Group

Western Retail Park
Nangor Road
Dublin 12
Ireland

Tel: +353 1 7099000
Fax: +353 1 7099060
Email: info@led.ie
Website: www.led.ie



Installation diagram



The Installation must be carried out by an electrician