

Modern floodlight for LED light source.

TECHNICAL DATA

Mounting: on the adjustable holder, on the substrate

Body: high pressure die-cast aluminum

Colour: gray

Diffuser: tempered glass

ELECTRICAL DATA

Power supply efficiency: >85%

Electrical connection: max 3x1 mm² wire with a length of 1.8 m

Power: 220-240V 50/60Hz

Includes light source: yes

Type of equipment: ED

OPTICAL DATA

Light distribution: circular, asymmetric-narrow, asymmetric-wide

Way of lighting: direct

Type of optic: lens

GENERAL DATA

Lifetime (L70B50): 100 000 h

Lifetime (LM80 TM21 L80B50): 60 000 h

Lifetime (LM80 TM21 L90B50): 35 500 h

Available on request: DALI, DIM 1..10V

Other remarks: IP68 connector required

Warranty: 5 years

Application: building facades, facades, parking areas, sport facilities, industrial facilities, warehouses



Code	Power LED [W]	Luminaire power [W]	Lumen LED [lm]	Lumen luminaire [lm]	Efficacy [lm/W]	Colour temperature [K]	CRI/Ra	Operating temperature range [°C]
120212.5L011.X1	24	27	3700	3250	120	4000	>70	-30°C...+40°C
120212.5L021.X1	24	27	3700	3250	120	5700	>70	-30°C...+40°C
120212.5L041.X1	42	48	6000	5350	111	4000	>70	-40°C...+35°C
120212.5L051.X1	42	48	6000	5350	111	5700	>70	-40°C...+35°C
120212.5L071.X1	50	57	7000	6250	110	4000	>70	-40°C...+30°C
120212.5L081.X1	50	57	7000	6250	110	5700	>70	-40°C...+30°C
120212.5L101.X1	65	73	8400	7500	103	4000	>70	-40°C...+33°C
120212.5L111.X1	65	73	8400	7500	103	5700	>70	-40°C...+33°C

120212.5L011.X1

1

Beam angle

1 25°

2 50°

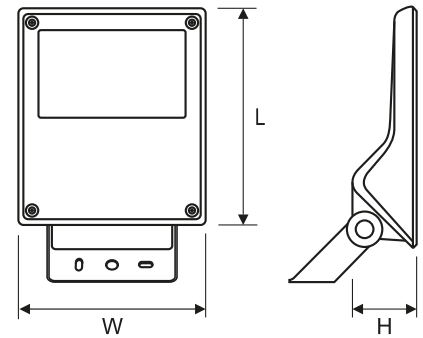
3 narrow

4 wide

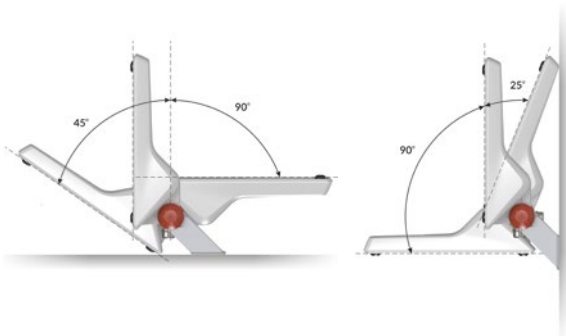
Luminous flux tolerance +/- 10%.

The luminous flux on the datasheet varies depending on the beam angle, which also affects the luminaire efficacy. Detailed information on each luminaire index is available on our website.

Code	Dimensions [mm] L W H	Pallet quantity	Quantity in package	Net weight [kg]
120212.5L011.X1	272 238 73	153	1	3.5
120212.5L021.X1	272 238 73	153	1	3.5
120212.5L041.X1	272 238 73	153	1	3.7
120212.5L051.X1	272 238 73	153	1	3.7
120212.5L071.X1	272 238 73	153	1	3.8
120212.5L081.X1	272 238 73	153	1	3.8
120212.5L101.X1	272 238 73	153	1	3.9
120212.5L111.X1	272 238 73	153	1	3.9



OTHER PICTURES



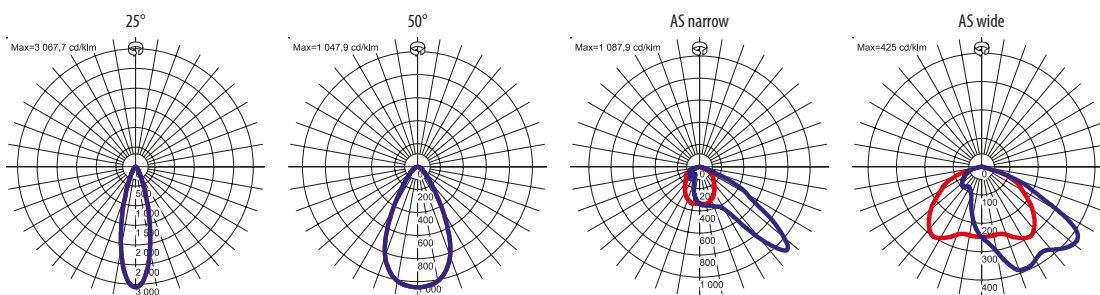
ACCESSORIES



150160.00924

IP68 hermetic connector

LIGHT BEAM CURVES



Luminous flux tolerance +/- 10%.

The luminous flux on the datasheet varies depending on the beam angle, which also affects the luminaire efficacy. Detailed information on each luminaire index is available on our website.