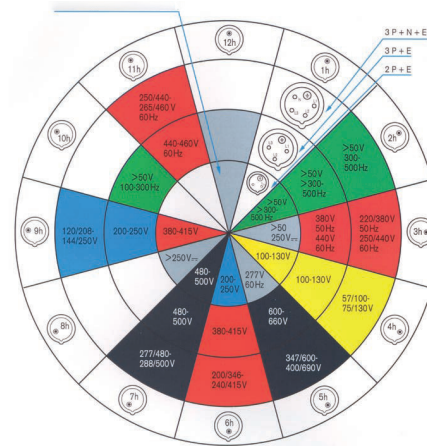
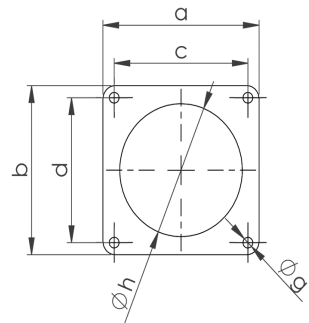
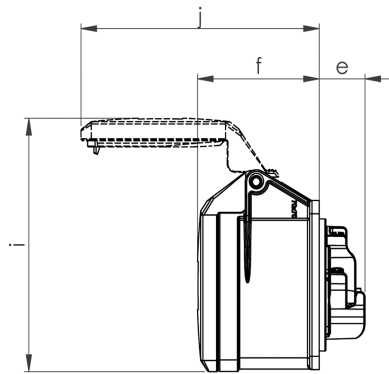


PANEL MOUNTED SOCKET WITH STRAIGHT MOUNTING PLATE 16A - 63A IP44

Type	Poles	Operating Voltage V	Frequency Hz	Clock pos. Colour code	Flange a & b	Fix Centre c & d	e	f	g	h	i	j	Flex Cable mm	Weight gm	Package size
UI 216-4 S	3 2p + E	100-130	50-60	4 ■	70	56	21	55	5.5	43	87	101	1 - 2.5	115	10
UI 216-6 S		200-250	50-60	6 ■	70	56	21	55	5.5	43	87	101	1 - 2.5	115	10
UI 232-4 S		100-130	50-60	4 ■	70	56	23	67	5.5	55	112	122	2.5 - 6	162	10
UI 232-6 S		200-250	50-60	6 ■	70	56	23	67	5.5	55	112	122	2.5 - 6	162	10
UI 263-6 S	4 3p + E	200-250	50-60	6 ■	100	80	50	75	7	85	138	138	6 - 16	400	2
UI 316-6 S		380-415	50-60	6 ■	70	56	21	55	5.5	45	101	101	1 - 2.5	127	10
UI 332-6 S		380-415	50-60	6 ■	70	56	23	67	5.5	55	112	122	2.5 - 6	178	10
UI 363-6 S	5 3p + N + E	380-415	50-60	6 ■	100	80	50	75	7	85	138	138	6 - 16	485	2
UI 416-6 S		200-415	50-60	6 ■	70	56	21	55	5.5	55	105	107	1 - 2.5	145	10
UI 432-6 S	5 3p + N + E	200-415	50-60	6 ■	70	56	23	67	5.5	58	108	136	2.5 - 6	206	10
UI 463-6 S		200-415	50-60	6 ■	100	80	50	75	7	85	138	138	6 - 16	539	2



GARRO plugs and sockets are tested, certified and comply with the following international and national standards
 IEC 60 309-2, IEC 60 309-1, SS EN 60309-1, SS EN 60309-2,
 CEE17, SEMKO 117, VDE 0623, BS 4343, EN 50 250

Garro Electric Irl 19/307 Northwest Business Park • Dublin 15
 sales@garro.ie