



## ALHL/WH

Latina Polycarbonate Half Lantern 42W White



## Features

Contemporary IP65 half lantern and resistant to corrosion.

Textured polycarbonate finish and tinted lens.

PIR option for convenience and security. Incorporates manual override option.

Colour matching PIR lens cover ensures discreet appearance.

## General Information

---

Lamp Type	E27
Colour / Finish	White
IP Rating	IP65
Class Protection	2
Internal / External	External
Surface / Recessed / Suspended	Surface
CE Mark	Yes
Height / Depth	95
Length / Diameter	344
Width	172

---

## Technical Information

---

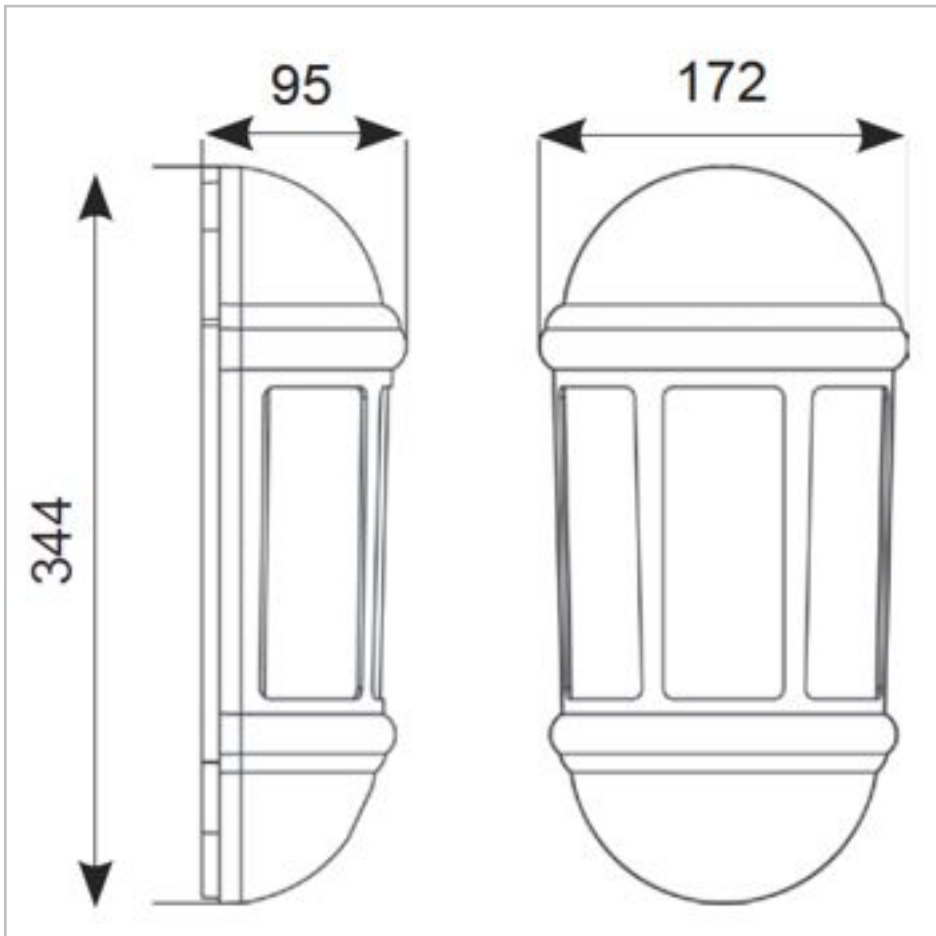
Wattage	42W
---------	-----

---

## Technical Data - ETIM 6 - Ceiling-/wall luminaire (EC002892)

Suitable for wall mounting	Yes
Suitable for suspended mounting	No
With light source	No
Lamp holder	E27
Material housing	Plastic
Colour housing	White
Material cover	Plastic, transparent
Suitable for number of lamps	1
Control gear included	No
Degree of protection (IP)	IP65
Protection class	II
Surface finishing	Other
Length	344 mm
Width	172 mm
Lamp power	42 W
Lamp power at multiwatt	Not applicable
Suitable for emergency lighting	No
Emergency unit integrated	No
Suitable for ceiling mounting	No
Suitable for built-in mounting	No
Suitable for surface mounting	Yes
With light sensor	No
With movement sensor	No
Max. system power	42 W
Type of grid	None

Reflector	None
Light sharing	Symmetric/asymmetric
Height/depth	95 mm
Suitable for light line configuration	No



Datasheet generated from <http://www.electrika.com> last updated Thursday, December 7, 2017 12:00:14 PM