

## ALWL/BL

Latina Polycarbonate Wall Lantern 42W Black



## Features

Contemporary IP65 polycarbonate lantern range and resistant to corrosion.

Unique design provides installer with option of top arm or bottom arm mounting, without the need of additional wiring (PIR version bottom arm mounting only).

Textured polycarbonate finish and tinted lens.

PIR option for convenience and security. Incorporates manual override option.

Colour matching PIR lens ensures discreet appearance.

## General Information

---

Lamp Type E27

---

Colour / Finish Black

---

IP Rating IP65

---

Class Protection 2

---

Internal / External External

---

Surface / Recessed / Suspended Surface

---

CE Mark Yes

---

Height / Depth 231

---

Length / Diameter 410

---

Width 193

---

## Technical Information

---

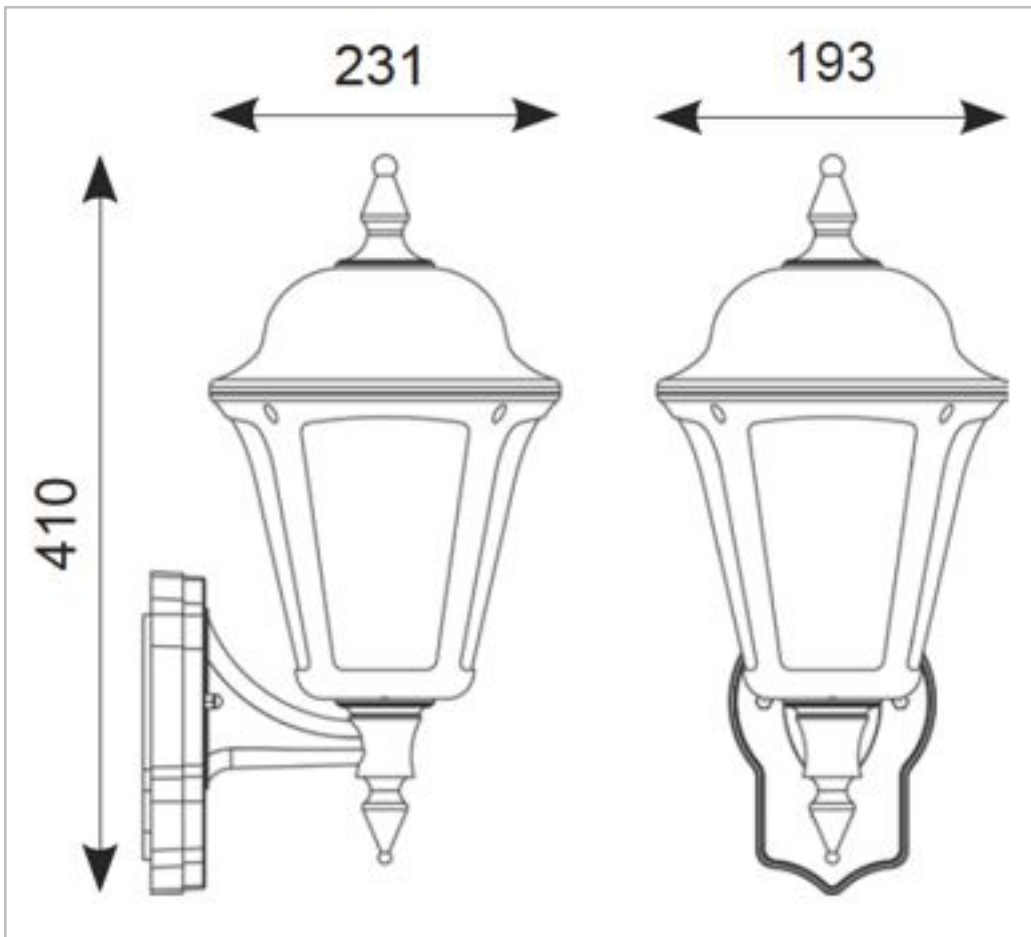
Wattage 42W

---

## Technical Data - ETIM 6 - Ceiling-/wall luminaire (EC002892)

Suitable for wall mounting	Yes
Suitable for suspended mounting	No
Lamp type	Mixed light lamp
With light source	No
Lamp holder	E27
Material housing	Plastic
Colour housing	Black
Material cover	Plastic, transparent
Suitable for number of lamps	1
Type of control gear	Not required
Control gear included	No
Degree of protection (IP)	IP65
Impact strength	IK05
Protection class	II
Surface finishing	Other
Length	410 mm
Width	193 mm
Lamp power	42 W
Lamp power at multiwatt	Not applicable
Suitable for emergency lighting	No
Emergency unit integrated	No
Suitable for ceiling mounting	No
Suitable for built-in mounting	No
Suitable for surface mounting	Yes
With light sensor	No

<b>With movement sensor</b>	No
<b>Max. system power</b>	42 W
<b>Fit for monitor workplace acc. EN 12464-1</b>	No
<b>Type of grid</b>	None
<b>Reflector</b>	None
<b>Light sharing</b>	Asymmetric
<b>Light outlet</b>	Direct
<b>Height/depth</b>	231 mm
<b>Ambient temperature</b>	0-25 °C
<b>Suitable for light line configuration</b>	No



Datasheet generated from <http://www.electrika.com> last updated Thursday, December 7, 2017 12:00:14 PM