



## AMELED/ER/3NM/ST

Merlin LED Emergency Downlight Non-Maintained - Escape Route 5W White



## Features

Ultra-low profile recessed self-test emergency downlight.

Self-test as standard.

Option of escape route or open area models.

High specification optic design and performance allows increased spacing providing reduced cost.

Up to 17.8 metres spacing between luminaires.

## General Information

Lamp Type	LED
Colour / Finish	White
Emergency	Yes
Self Test	Yes
IP Rating	IP20
Class Protection	1
Internal / External	Internal
Surface / Recessed / Suspended	Recessed
Warranty (Years)	3
CE Mark	Yes
Height / Depth	57
Accessories	ASBP/9

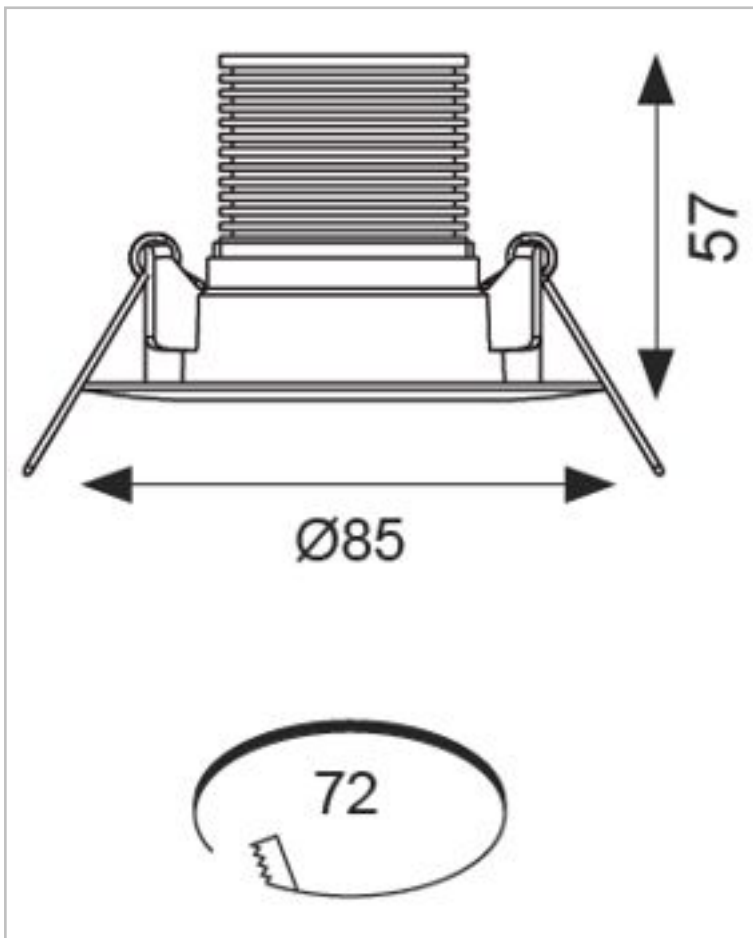
## Technical Information

Wattage	5W
Lumens Delivered	227lm
CCT	6500K
Input	230V
Hertz	50/60Hz
Operating Temp	0°C to 45°C

## Technical Data - ETIM 6 - Downlight rigid/swivelling (EC001702)

Suitable for wall mounting	No
Suitable for suspended mounting	No
With light source	Yes
Colour housing	White
Suitable for number of lamps	1
Voltage type	AC
Nominal voltage	230-230 V
Control gear included	Yes
Degree of protection (IP)	IP20
Protection class	I
Rated luminous flux acc. IEC 62722-2-1	227 lm
Colour of light	White
Colour temperature	6500-6500 K
Outer diameter	85 mm
Lamp power at multiwatt	Not applicable
Emergency unit integrated	Yes
Suitable for ceiling mounting	Yes
Suitable for built-in mounting	Yes
Suitable for surface mounting	No
Adjustability	Not adjustable
Suitable for lamp power	5-5 W
With light sensor	No
With movement sensor	No
Max. system power	5 W
Type of grid	None

Light sharing	Symmetric/asymmetric
Height/depth	57 mm
Ambient temperature	0-45 °C



Datasheet generated from <http://www.electrika.com> last updated Tuesday, January 23, 2018 3:28:34 PM