



MASTER CityWhite CDO-TT

MASTER CityWhite CDO-TT Plus 150W/828 E40

Ceramic metal halide lamp with clear tubular outer bulb shape, used in outdoor offering pleasant white light

Product data

General Information	
Cap base	E40 [E40]
Operating position	UNIVERSAL [Any/Universal]
Life to 5% failures (nom.)	18000 h
Life to 10% failures (nom.)	20000 h
Life to 20% failures (nom.)	22500 h
Life to 50% failures (nom.)	27000 h
LSF 2000 h Rated	99 %
LSF 4000 h Rated	99 %
LSF 6000 h Rated	99 %
LSF 8000 h Rated	99 %
LSF 12000 h Rated	99 %
LSF 16000 h Rated	97 %
LSF 20000 h Rated	90 %

Light Technical	
Colour code	828 [CCT of 2800K]
Luminous flux (rated) (nom.)	16500 lm
Colour designation	Warm white (WW)
Chromaticity coordinate X (nom.)	445
Chromaticity coordinate Y (nom.)	395

Correlated colour temperature (nom.)	2800 K
Luminous efficacy (rated) (nom.)	110 lm/W
Color rendering index (nom.)	87
LLMF 2000 h Rated	95 %
LLMF 4000 h Rated	92 %
LLMF 6000 h Rated	90 %
LLMF 8000 h Rated	88 %
LLMF 12000 h Rated	85 %
LLMF 16000 h Rated	82 %
LLMF 20000 h Rated	80 %
Ratio Scotopic/Photopic Lumens	1.30

Operating and Electrical	
Power (Rated) (Nom)	148.0 W
Lamp current run-up (max.)	3.0 A
Lamp current (EM) (nom.)	1.8 A
Ignition peak voltage (max.)	5000 V
Ignition supply voltage (min.)	198 V
Re-ignition time (min.) (max.)	900 s
Ignition time (max.)	30 s
Voltage (Max)	106 V

MASTER CityWhite CDO-TT

Voltage (Min)	90 V
Voltage (Nom)	98 V
Controls and Dimming	
Dimmable	yes
Run-up time 90% (max.)	3 min
Mechanical and Housing	
Bulb finish	Clear (CL)
Approval and Application	
Energy efficiency label (EEL)	A+
Mercury (Hg) content (nom.)	15.8 mg
Energy Consumption kWh/1000 h	162 kWh
UV	
PET (NIOSH) (min.)	8 h/500lx

Luminaire Design Requirements

Bulb temperature (max.)	450 °C
Cap base temperature (max.)	250 °C

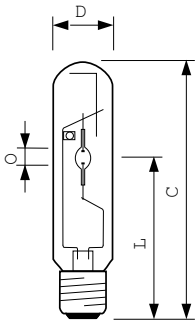
Product Data

Full product code	871829112034600
Order product name	MASTER CityWhite CDO-TT Plus 150W/828 E40
EAN/UPC – product	8718291120346
Order code	12034600
Local Code	150CDOTTPPLUS828
Numerator – quantity per pack	1
Numerator – packs per outer box	12
Material no. (12NC)	928082219231
Net weight (piece)	0.135 kg
ILCOS Code	MT/UB-150/828-H-E40-48/211

Warnings and Safety

- Use only in totally enclosed luminaire, even during testing (IEC61167, IEC 62035, IEC60598)
- The luminaire must be able to contain hot lamp parts if the lamp ruptures
- Lamps may use electronic or electromagnetic control gear
- Control gear must include end-of-life protection (IEC61167, IEC 62035)

Dimensional drawing

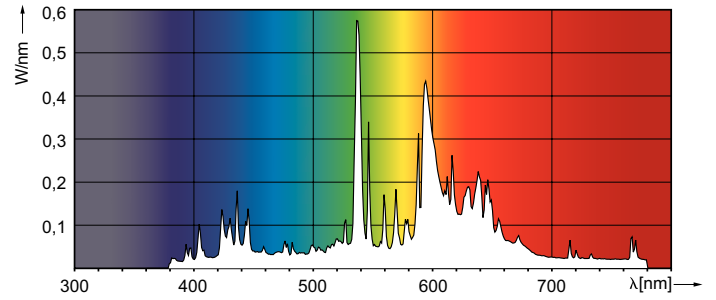
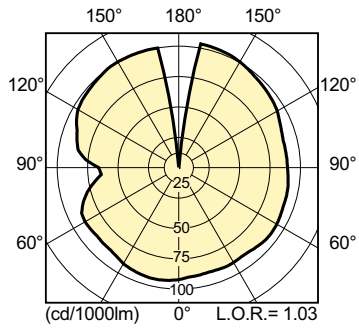


CDO-TT Plus 150W/828 E40

Product	D (max)	O	L	C (max)
MASTER CityWhite CDO-TT Plus 150W/828 E40	47 mm	10 mm	132 mm	211 mm

MASTER CityWhite CDO-TT

Photometric data



Lifetime

