



MASTERCcolour CDM-T Elite

MASTERCcolour CDM-T Elite 35W/942 G12 1CT

Single-ended, very high-efficiency, long-life Ceramic Metal Halide discharge lamp producing crisp white sparkling light with high color rendering

Product data

General Information	
Cap-Base	G12 [G12]
Operating Position	UNIVERSAL [Any or Universal (U)]
Life to 5% Failures (Nom)	9000 h
Life to 10% Failures (Nom)	10000 h
Life to 20% Failures (Nom)	12000 h
Life to 50% Failures (Nom)	15000 h
ANSI Code HID	-
Light Technical	
Color Code	942 [CCT of 4200K]
Luminous Flux (Rated) (Nom)	3850 lm
Color Designation	Cool White (CW)
Lumen Maintenance 1000 h (Nom)	89 %
Lumen Maintenance 12000 h (Nom)	71 %
Lumen Maintenance 10000 h (Nom)	73 %
Lumen Maintenance 2000 h (Nom)	84 %
Lumen Maintenance 4000 h (Nom)	80 %
Lumen Maintenance 5000 h (Nom)	79 %
Chromaticity Coordinate X (Nom)	0.366
Chromaticity Coordinate Y (Nom)	0.364

Correlated Color Temperature (Nom)	4200 K
Luminous Efficacy (Rated) (Nom)	98 lm/W
Color Rendering Index (Min)	86
Color Rendering Index (Nom)	89

Operating and Electrical	
Power (Rated) (Nom)	39.0 W
Lamp Current (EM) (Nom)	0.51 A
Ignition Supply Voltage (Min)	198 V
Re-ignition Time (Min) (Max)	15 min
Ignition Time (Max)	30 s
Voltage (Max)	96 V
Voltage (Min)	84 V
Voltage (Nom)	90 V

Controls and Dimming	
Dimmable	No
Run-Up Time 90% (Max)	3 min

MASTERColour CDM-T Elite

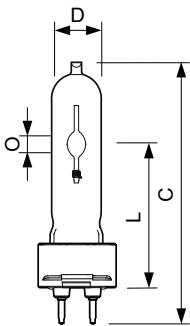
Mechanical and Housing	
Bulb Finish	Clear
Approval and Application	
Energy Efficiency Label (EEL)	A+
Mercury (Hg) Content (Nom)	4.7 mg
Energy Consumption kWh/1000 h	43 kWh
UV	
Pet (Niosh) (Min)	8 h/500lx
Damage Factor D/fc (Max)	0.4
Luminaire Design Requirements	
Bulb Temperature (Max)	500 °C
Cap-Base Temperature (Max)	250 °C

Pinch Temperature (Max)	350 °C
Product Data	
Full product code	871829116364000
Order product name	MASTERColour CDM-T Elite 35W/942 G12 1CT
EAN/UPC - Product	8718291163640
Order code	928193605131
Numerator - Quantity Per Pack	1
Numerator - Packs per outer box	12
Material Nr. (12NC)	928193605131
Net Weight (Piece)	0.028 kg
ILCOS Code	MT/UB-35/942-H-G12-20/90

Warnings and Safety

- Use only in totally enclosed luminaire, even during testing (IEC61167, IEC 62035, IEC60598)
- The luminaire must be able to contain hot lamp parts if the lamp ruptures
- Use only with electronic control gear. 35W & 70W lamps may also use electromagnetic gear.
- Control gear must include end-of-life protection (IEC61167, IEC 62035)
- A lamp breaking is extremely unlikely to have any impact on your health. If a lamp breaks, ventilate the room for 30 minutes and remove the parts, preferably with gloves. Put them in a sealed plastic bag and take it to your local waste facilities for recycling. Do not use a vacuum cleaner.

Dimensional drawing

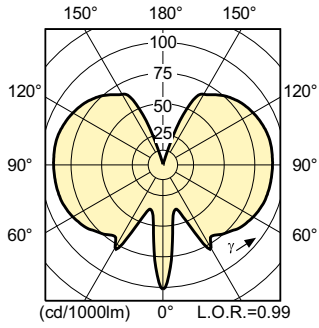


CDM-T Elite 35W/942 G12

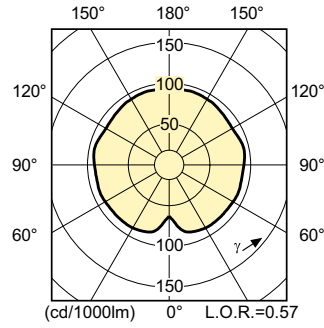
Product	D (max)	O	L (min)	L (max)	L	C (max)
MASTERColour CDM-T Elite 35W/942 G12 1CT	20 mm	5.2 mm	55 mm	57 mm	56 mm	103 mm

MASTERColour CDM-T Elite

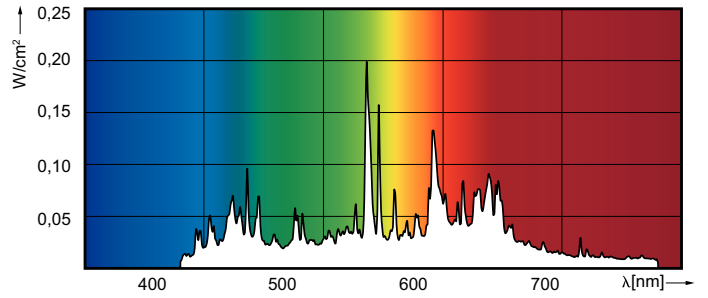
Photometric data



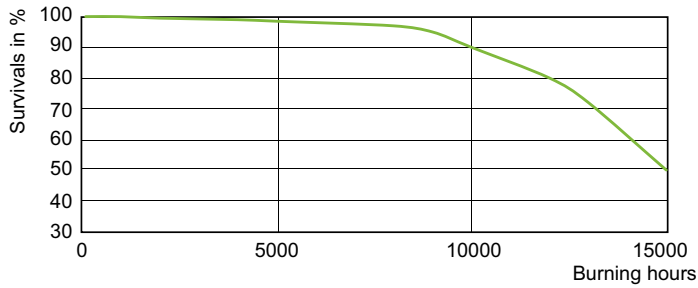
CDM-T Elite 35W /942 G12



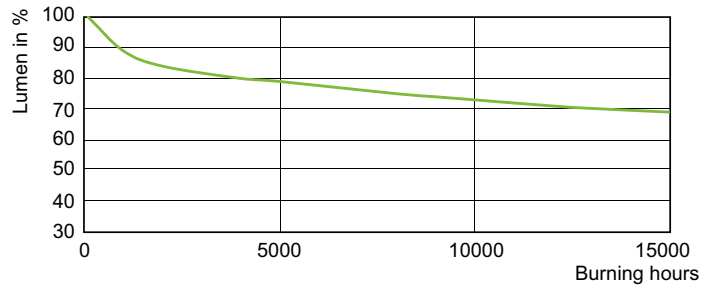
CDM-T Elite 35 W /942



Lifetime



CDM-T Elite 35 W Life Expectancy /942 G12



CDM-T Elite 35 W Lumen Maintenance /942 G12

