



MASTER LEDbulbs

MAS LEDbulb D 6-40W E27 827 A60 CL

The MASTER LEDbulb range delivers a dimmable glow effect for a welcoming, warm atmosphere, making it ideal for general lighting applications in the hospitality industry. Its unique design radiates warm light in all directions, making it a true alternative to incandescent lamps. They are particularly suitable for public areas such as lobbies, corridors, stairwells, where the light is always on. Compatible with existing fixtures with an E27 holder and designed for retrofit replacement of incandescent bulbs, MASTER LEDbulb delivers huge energy savings and minimizes maintenance cost without any compromise on light quality. They can be used together with most leading-edge dimmers, enabling further efficiencies while helping to create the desired atmosphere.

Product data

General Information	
Cap-Base	E27 [E27]
Nominal Lifetime (Nom)	25000 h
Switching Cycle	50000X
Technical Type	6-40W

Light Technical	
Color Code	827 [CCT of 2700K]
Luminous Flux (Nom)	470 lm
Luminous Flux (Rated) (Nom)	470 lm
Color Designation	Warm White (WW)
Correlated Color Temperature (Nom)	2700 K
Luminous Efficacy (Rated) (Nom)	78.33 lm/W
Color Consistency	<6
Color Rendering Index (Nom)	80
LLMF At End Of Nominal Lifetime (Nom)	70 %

Operating and Electrical	
Input Frequency	50 to 60 Hz
Power (Rated) (Nom)	6 W
Lamp Current (Nom)	48 mA
Wattage Equivalent	40 W
Starting Time (Nom)	0.5 s
Warm Up Time to 60% Light (Nom)	instant full light
Power Factor (Nom)	0.5
Voltage (Nom)	220-240 V

Temperature	
T-Case Maximum (Nom)	90 °C

Controls and Dimming	
Dimmable	Yes

MASTER LEDbulbs

Mechanical and Housing

Bulb Finish Clear

Approval and Application

Suitable For Accent Lighting No
 Energy Efficiency Label (EEL) A+
 Energy Consumption kWh/1000 h 6 kWh

Product Data

Full product code 871829176244700

Order product name MAS LEDbulb D 6-40W E27 827 A60 CL

EAN/UPC - Product 8718291762447

Order code 929000272402

Numerator - Quantity Per Pack 1

Numerator - Packs per outer box 10

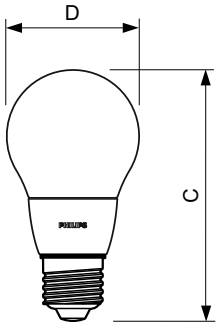
Material Nr. (12NC) 929000272402

Net Weight (Piece) 0.080 kg

Warnings and Safety

- Operating temperature range is between -20° C and 45° C ambient
- Only to apply in dry or damp locations and most of open fixtures with lamp-holders that offer sufficient space (10 mm free air space)
- Not intended for use with emergency light fixtures or exit lights

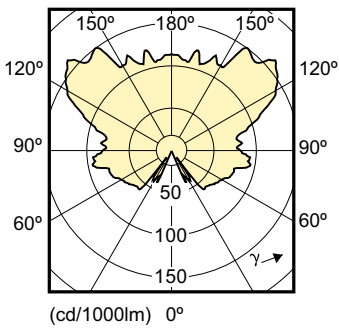
Dimensional drawing



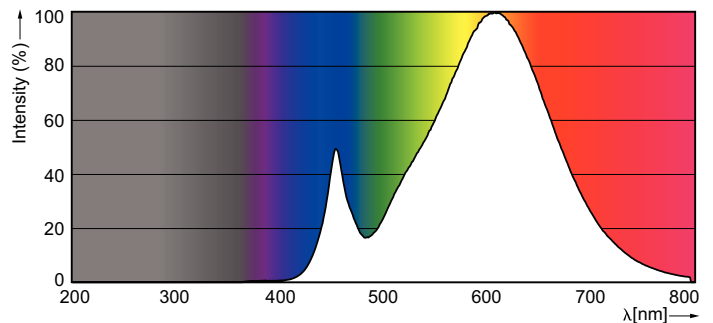
LED D 6-40W E27 827 A60 CL

Product	D	C
MAS LEDbulb D 6-40W E27 827 A60 CL	58 mm	110 mm

Photometric data



6-40 W E27 A60 /827 2700 K CL



6-40 W 2700 K 4700 lm

MASTER LEDbulbs

