



# MASTER LEDbulbs

## MAS LEDbulb DT 8.5-60W B22 A60 CL

The MASTER LEDbulb range delivers a dimmable glow effect for a welcoming, warm atmosphere, making it ideal for general lighting applications in the hospitality industry. Its unique design radiates warm light in all directions, making it a true alternative to incandescent lamps. They are particularly suitable for public areas such as lobbies, corridors, stairwells, where the light is always on. Compatible with existing fixtures with an E27 holder and designed for retrofit replacement of incandescent bulbs, MASTER LEDbulb delivers huge energy savings and minimizes maintenance cost without any compromise on light quality. They can be used together with most leading-edge dimmers, enabling further efficiencies while helping to create the desired atmosphere.

### Product data

General Information	
Cap-Base	B22 [ B22]
Reddot Design Award Winner mark	Reddot Design Award Winner 2016
Nominal Lifetime (Nom)	25000 h
Switching Cycle	50000X
Technical Type	8.5-60W
Light Technical	
Color Code	822-827 [ tunable warm white]
Luminous Flux (Nom)	806 lm
Luminous Flux (Rated) (Nom)	806 lm
Color Designation	Warm White (WW)
Correlated Color Temperature (Nom)	2200-2700 K
Luminous Efficacy (Rated) (Nom)	94 lm/W
Color Consistency	<6
Color Rendering Index (Nom)	80

LLMF At End Of Nominal Lifetime (Nom)	70 %
Operating and Electrical	
Input Frequency	50 to 60 Hz
Power (Rated) (Nom)	8.5 W
Lamp Current (Nom)	45 mA
Wattage Equivalent	60 W
Starting Time (Nom)	0.5 s
Warm Up Time to 60% Light (Nom)	0.5 s
Power Factor (Nom)	0.7
Voltage (Nom)	220-240 V
Temperature	
T-Case Maximum (Nom)	110 °C

# MASTER LEDbulbs

## Controls and Dimming

Dimmable	Yes
----------	-----

## Mechanical and Housing

Bulb Finish	Clear
-------------	-------

## Approval and Application

Energy Saving Product	Yes
Suitable For Accent Lighting	No
Energy Efficiency Label (EEL)	A+
Energy Consumption kWh/1000 h	9 kWh

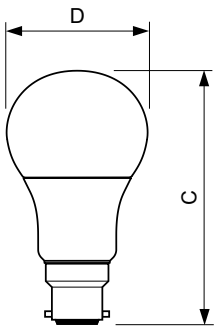
## Product Data

Full product code	871869648134900
Order product name	MAS LEDbulb DT 8.5-60W B22 A60 CL
EAN/UPC - Product	8718696481349
Order code	929001150732
Numerator - Quantity Per Pack	1
Numerator - Packs per outer box	10
Material Nr. (12NC)	929001150732
Net Weight (Piece)	0.076 kg

## Warnings and Safety

- Operating temperature range is between -20° C and 45° C ambient
- Only to apply in dry or damp locations and most of open fixtures with lamp-holders that offer sufficient space (10 mm free air space)
- Not intended for use with emergency light fixtures or exit lights

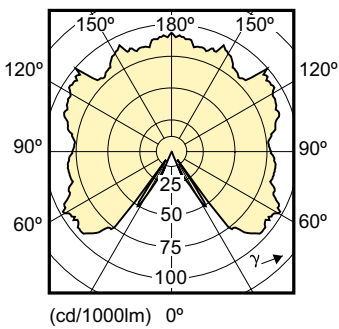
## Dimensional drawing



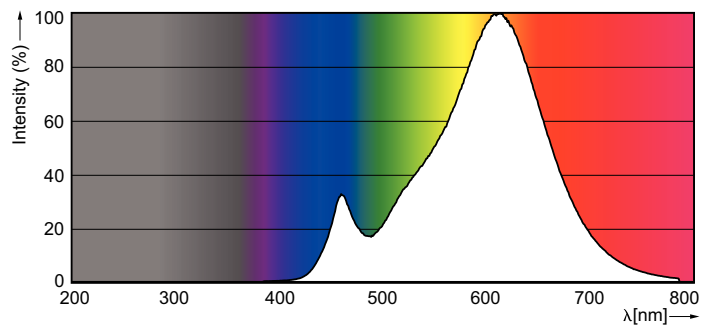
LED DT 9-60W B22 A60 CL

Product	D	C
MAS LEDbulb DT 8.5-60W B22 A60 CL	60 mm	110 mm

## Photometric data



DT 9-60W A60 WW 2200-2700 K



DT 6-40W, 9-60W, ND 6.5-40W, 9.5-60W 2200-2700K A60 CL

## MASTER LEDbulbs

