



CorePro LEDbulbs

CorePro LEDbulb D 11.5-75W A60 E27 827

CorePro LEDbulbs are compatible with existing fixtures with an E27 or B22 holder and are designed for retrofit replacement of incandescent bulbs. They deliver huge energy savings and minimize maintenance cost. The CorePro LED bulb is the perfect bulb for your basic lighting needs. It provides the beautiful light and dependable performance you expect from LED at an affordable price.

Product data

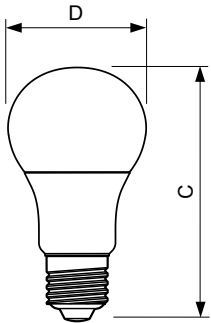
General Information		Lamp Current (Nom)	
Cap-Base	E27 [E27]		70 mA
Nominal Lifetime (Nom)	15000 h	Wattage Equivalent	75 W
Switching Cycle	50000X	Starting Time (Nom)	0.5 s
Technical Type	11.5-75W	Warm Up Time to 60% Light (Nom)	0.5 s
		Power Factor (Nom)	0.7
		Voltage (Nom)	220-240 V
Light Technical		Temperature	
Color Code	827 [CCT of 2700K]	T-Case Maximum (Nom)	85 °C
Beam Angle (Nom)	200 °		
Luminous Flux (Nom)	1055 lm	Controls and Dimming	
Luminous Flux (Rated) (Nom)	1055 lm	Dimmable	Yes
Color Designation	Warm White (WW)	Mechanical and Housing	
Correlated Color Temperature (Nom)	2700 K	Bulb Finish	Frosted
Luminous Efficacy (Rated) (Nom)	91.74 lm/W	Approval and Application	
Color Consistency	<6	Energy Saving Product	Yes
Color Rendering Index (Nom)	80	Suitable For Accent Lighting	No
LLMF At End Of Nominal Lifetime (Nom)	70 %	Energy Efficiency Label (EEL)	A+
Operating and Electrical			
Input Frequency	50 to 60 Hz		
Power (Rated) (Nom)	11.5 W		

CorePro LEDbulbs

Energy Consumption kWh/1000 h	12 kWh
Product Data	
Full product code	871869647877600
Order product name	CorePro LEDbulb D 11.5-75W A60 E27 827
EAN/UPC - Product	8718696478776
Order code	929001159032

Numerator - Quantity Per Pack	1
Numerator - Packs per outer box	10
Material Nr. (12NC)	929001159032
Net Weight (Piece)	0.076 kg

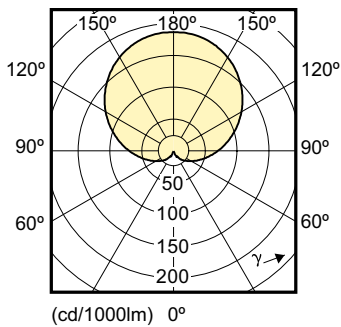
Dimensional drawing



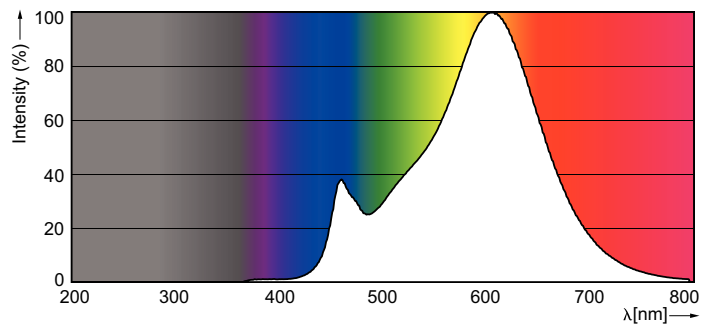
LED D 11.5-75W E27 827

Product	D	C
CorePro LEDbulb D 11.5-75W A60 E27 827	60 mm	110 mm

Photometric data



75W A60



A60, A67 /827 FR

