



CorePro LEDbulbs

CorePro LEDbulb ND 10-75W A60 E27 840

CorePro LEDbulbs are compatible with existing fixtures with an E27 or B22 holder and are designed for retrofit replacement of incandescent bulbs. They deliver huge energy savings and minimize maintenance cost. The CorePro LED bulb is the perfect bulb for your basic lighting needs. It provides the beautiful light and dependable performance you expect from LED at an affordable price.

Product data

General Information		Lamp Current (Nom)	
Cap-Base	E27 [E27]		95 mA
Nominal Lifetime (Nom)	15000 h	Wattage Equivalent	75 W
Switching Cycle	50000X	Starting Time (Nom)	0.5 s
Technical Type	10-75W	Warm Up Time to 60% Light (Nom)	0.5 s
		Power Factor (Nom)	0.5
		Voltage (Nom)	220-240 V
Light Technical		Temperature	
Color Code	840 [CCT of 4000K]	T-Case Maximum (Nom)	85 °C
Beam Angle (Nom)	200 °		
Luminous Flux (Nom)	1055 lm	Controls and Dimming	
Luminous Flux (Rated) (Nom)	1055 lm	Dimmable	No
Color Designation	Cool White (CW)	Mechanical and Housing	
Correlated Color Temperature (Nom)	4000 K	Bulb Finish	Frosted
Luminous Efficacy (Rated) (Nom)	105.50 lm/W	Approval and Application	
Color Consistency	<6	Energy Efficiency Label (EEL)	A+
Color Rendering Index (Nom)	80	Energy Consumption kWh/1000 h	10 kWh
LLMF At End Of Nominal Lifetime (Nom)	70 %		
Operating and Electrical			
Input Frequency	50 to 60 Hz		
Power (Rated) (Nom)	10 W		

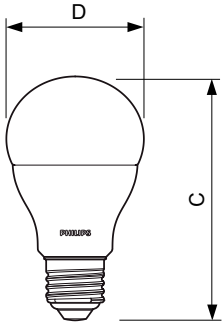
CorePro LEDbulbs

Product Data

Full product code	871869651032200
Order product name	CorePro LEDbulb ND 10-75W A60 E27 840
EAN/UPC - Product	8718696510322
Order code	929001234802
Numerator - Quantity Per Pack	1

Numerator - Packs per outer box	10
Material Nr. (12NC)	929001234802
Net Weight (Piece)	0.076 kg

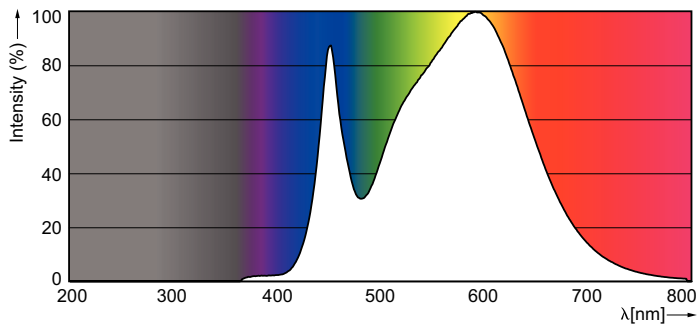
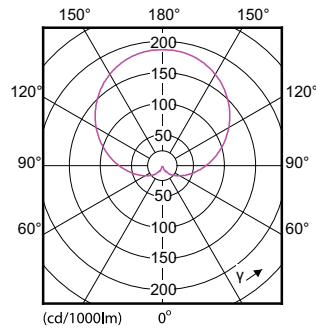
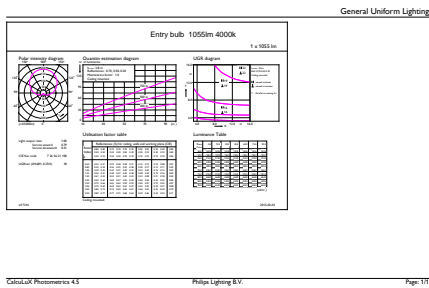
Dimensional drawing



Entry bulb 230V 10.5W-75W 4000K E27 ND

Product	D	C
CorePro LEDbulb ND 10-75W A60 E27 840	60 mm	110 mm

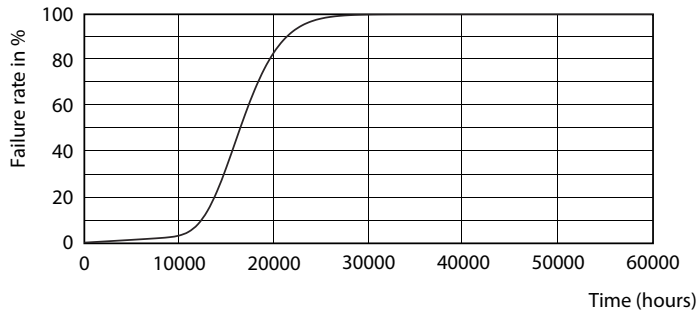
Photometric data



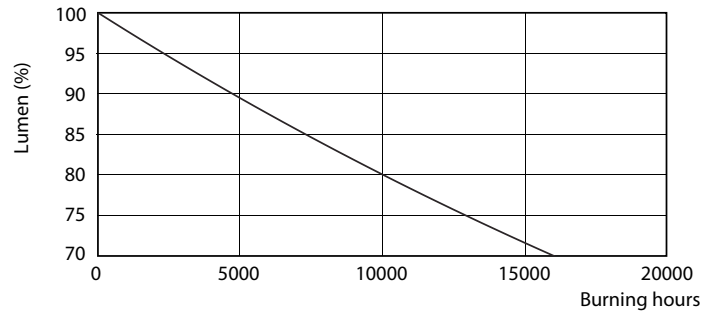
A60 /840 FR

CorePro LEDbulbs

Lifetime



LEDbulb 100W E27 840 FR A60



LEDbulb 100W E27 840 FR A60

