



CorePro LEDspot LV

CoreProLEDspotLV ND 4.7-35W 827 MR16 36D

CorePro LEDspots are a perfect fit for spot lighting and deliver warm halogen-like light. They are compatible with most existing fixtures with MR16 GU5.3 holders and are designed as a retrofit replacement for halogen or incandescent spots. CorePro LEDspots deliver huge energy savings and minimize maintenance cost.

Product data

General Information	
Cap-Base	GU5.3 [GU5.3]
Nominal Lifetime (Nom)	15000 h
Switching Cycle	50000X
Technical Type	4.7-35W
Light Technical	
Color Code	827 [CCT of 2700K]
Beam Angle (Nom)	36 °
Luminous Flux (Nom)	380 lm
Luminous Flux (Rated) (Nom)	380 lm
Luminous Intensity (Nom)	900 cd
Color Designation	Warm White (WW)
Rated Beam Angle	36 °
Correlated Color Temperature (Nom)	2700 K
Luminous Efficacy (Rated) (Nom)	80.85 lm/W
Color Consistency	<6
Color Rendering Index (Nom)	80
LLMF At End Of Nominal Lifetime (Nom)	70 %
Luminous Flux in 90° Cone (Rated)	380 lm

Operating and Electrical	
Power (Rated) (Nom)	4.7 W
Lamp Current (Nom)	580 mA
Wattage Equivalent	35 W
Starting Time (Nom)	0.5 s
Warm Up Time to 60% Light (Nom)	1 s
Power Factor (Nom)	0.5
Voltage (Nom)	12 V
Temperature	
T-Case Maximum (Nom)	76 °C
Controls and Dimming	
Dimmable	No
Approval and Application	
Energy Saving Product	Yes
Suitable For Accent Lighting	Yes
Energy Efficiency Label (EEL)	A+
Energy Consumption kWh/1000 h	6 kWh

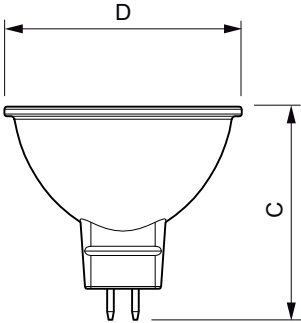
CorePro LEDspot LV

Product Data

Full product code	871869657943500
Order product name	CoreProLEDspotLV ND 4.7-35W 827 MR16 36D
EAN/UPC - Product	8718696579435
Order code	929001240302
Numerator - Quantity Per Pack	1

Numerator - Packs per outer box	10
Material Nr. (12NC)	929001240302
Net Weight (Piece)	0.045 kg

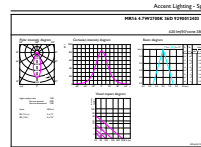
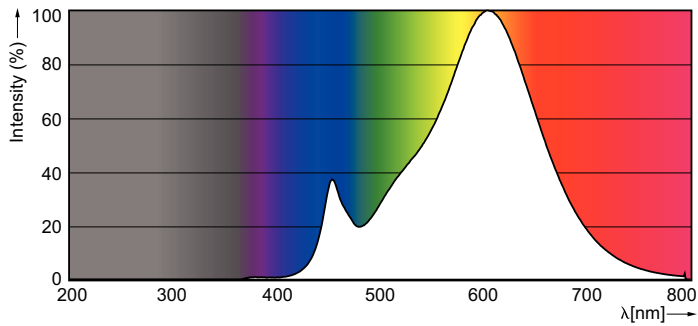
Dimensional drawing



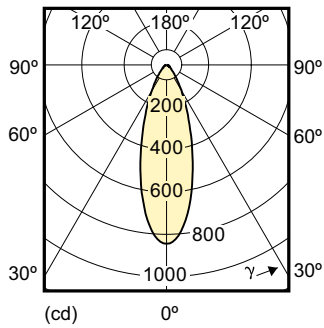
MR16 12V 5W-35W 380lm 36D 2700K GU5.3 ND

Product	D	C
CoreProLEDspotLV ND 4.7-35W 827 MR16 36D	50 mm	46 mm

Photometric data



© 2017 Philips Lighting B.V. All rights reserved.



CorePro LEDspot LV

