

40W LED PANEL

2751401 (LIG70877) 2751402 (LIG70878) 2751403 (LIG75993)
 2751405 (LIG75995) 2751409 (LIG75991)



600 x 600mm
 Standard, 4000K - 2751401
 Standard, 5000K - 2751402
 Emergency, 4000K - 2751409

300 x 1,200mm
 Standard, 4000K - 2751403

600 x 1,200mm
 Standard, 4000K - 2751405

40W LED Panel White

APPLICATIONS

- Versatile fitting which is suitable for a wide range of applications such as offices, shops, reception areas, restaurants, hotels schools & hospitals

TECHNICAL DETAILS

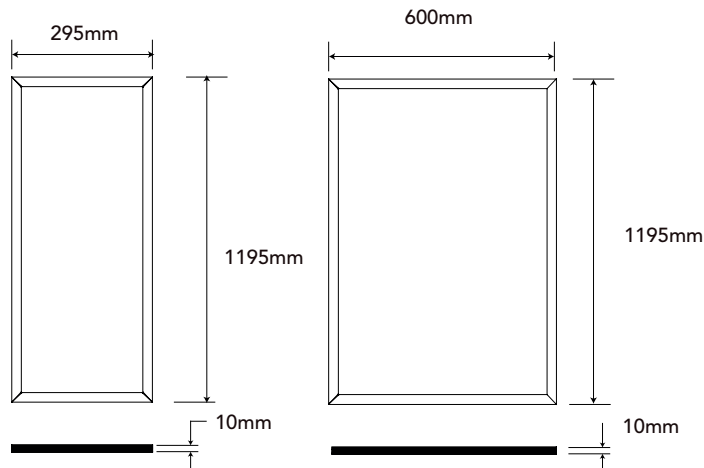
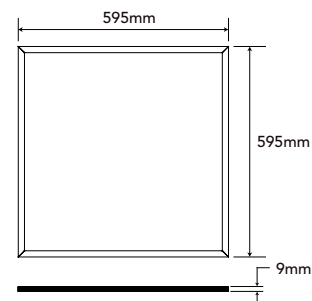
- Efficacy 88 lm / cctW
- CRI 80
- IP20
- CCT 4,000K & 5,000K

SPECIFICATION

- LED alternative for T8 LED fluorescent lay-in modular fittings
- Fits into standard size ceiling grid of 15mm to 24mm
- Emergency options available
- Suitable for switching by PIR, Microwave sensor or photocell

OPTIONS

- Available in; 600x600mm, 4000K & 5000K, standard and emergency
- 300x1,200mm, 40W
- 600x1,200mm, 60W



CODE	DESCRIPTION
2751401	40W LED Panel, IP20, 600x600mm, White, 4000K
2751402	40W LED Panel, IP20, 600x600mm, White, 5000K
2751409	40W LED Panel, IP20, 600x600mm, White, 4000K, Emergency
2751403	40W LED Panel, IP20, 300x1200mm, White, 4000K
2751405	60W LED Panel, IP20, 600x1200mm, White, 4000K