

Professional streetlight luminaire for LED light sources.

TECHNICAL DATA

Mounting: on pillar $\varnothing 60/48\text{mm}$, on pillar $\varnothing 76\text{mm}$ - modification .829, on outriggers $\varnothing 60/48\text{mm}$, on outriggers $\varnothing 76\text{mm}$ - modification .829

Body: high pressure die-cast aluminum

Lateral Surface Wind Exposed: 0.039 m²

Colour: gray

Diffuser: tempered glass

ELECTRICAL DATA

Power supply efficiency: >95%

Power: 220-240V 50/60Hz

Includes light source: yes

Type of equipment: ED

Electrical connection: max 3x2,5 mm² wire, max 2x2,5 mm² wire

OPTICAL DATA

Way of lighting: direct

Type of optic: O2 - for express roads, O3 - for local roads, O4 - for town roads, O5 - for residential area roads, O6P - for pedestrian crossings, right side traffic, O6L - for pedestrian crossings, left side traffic, O7 - for area lighting, O8 - for town and local roads, O26 - for wet surfaces, O2P

GENERAL DATA

ULOR / DLOR: 0% / 100%

Lifetime (L90B10): 100 000 h

Available on request: DALI, DIM 1..10V, LLOC, twilight sensor, knife switch, 10kV surge protection, NTC

Additional information: Tilt adjustment: -15° to +15° (every 5°)

Additional equipment: additional anti-corrosive protection (index extension: .985), access to the driver chamber without the use of tools (index extension: .825), luminaire with holder for mounting on a $\varnothing 76\text{mm}$ pillar (index extension: .829)

Other remarks: the pole and boom are not part of the luminaire

Warranty: 5 years

Application: express roads, local roads, town roads, residential area roads, pedestrian crossings, area lighting, avenues, promenade, cycle paths



Code	Luminaire power [W]	Lumen luminaire [lm]	Efficacy [lm/W]	Colour temperature [K]	CRI/Ra	Operating temperature range [°C]
Type: STANDARD						
130222.5L42X.XX1	29	3000	103	3000	>70	-40 ... +55
130222.5L01X.XX1	29	3150	109	4000	>70	-40 ... +55
130222.5L02X.XX1	29	3150	109	5700	>70	-40 ... +55
130222.5L43X.XX1	37	3950	107	3000	>70	-40 ... +55
130222.5L13X.XX1	37	4100	111	4000	>70	-40 ... +55
130222.5L14X.XX1	37	4100	111	5700	>70	-40 ... +55
130222.5L44X.XX1	55	5900	107	3000	>70	-40 ... +55
130222.5L04X.XX1	55	6100	111	4000	>70	-40 ... +55
130222.5L05X.XX1	55	6100	111	5700	>70	-40 ... +55
130222.5L45X.XX1	80	9200	115	3000	>70	-40 ... +50
130222.5L07X.XX1	80	9550	119	4000	>70	-40 ... +50
130222.5L08X.XX1	80	9550	119	5700	>70	-40 ... +50
130222.5L46X.XX1	106	12100	114	3000	>70	-40 ... +50
130222.5L10X.XX1	106	12550	118	4000	>70	-40 ... +50
130222.5L11X.XX1	106	12550	118	5700	>70	-40 ... +50
Type: O2P optics						

Please note that the standard luminaire is not intended for use in an environment with an increased corrosivity category. The use of the luminaire for work in an environment for which additional corrosion protection is necessary requires the use of an index with the extension .985 (on request).

In order to apply the luminaire in an aggressive environment, for example with an increased concentration of sulfur, salt or other aggressive substances, a consultation with the LUG Technical Preparation of Production Branch is required.

Luminous flux tolerance +/- 10%.

Power tolerance +/- 5%.

Lighting beam, light intensity distribution and light efficiency were examined in accordance with the EN ISO 17025:2005 norm for EN13032 norm series and the LM-79 norm.

Up-to-date product info and General Warranty Terms available on our website www.luglightfactory.com

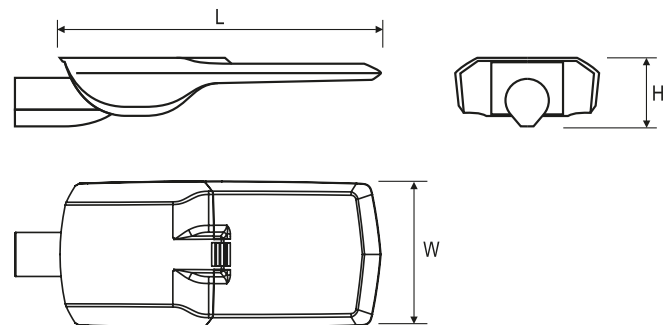
Detailed information on luminous fluxes and powers for individual indexes are indicated on the product data sheet.

The parameters in the data sheet are given for Ta=25°C.

Code	Luminaire power [W]	Lumen luminaire [lm]	Efficacy [lm/W]	Colour temperature [K]	CRI/Ra	Operating temperature range [°C]
Type: O2P optics						
130222.5L731.111	87	9300	107	3000	>70	-40 ... +50

130222.5L01	□	.	□	1.	□
				Type of luminaires	
				985 Luminaire with an additional anti-corrosion protection on request	
				825 Access to the driver chamber without the use of tools on request	
				829 Luminaire with holder for mounting on a ø76mm pillar on request	
				Type of optic	
				01 O2 - for express roads	
				02 O3 - for local roads	
				03 O4 - for town roads	
				04 O5 - for residential area roads	
				05 O6P - for pedestrian crossings, right side traffic	
				09 O6L - for pedestrian crossings, left side traffic	
				06 O7 - for area lighting	
				08 O8 - for town and local roads	
				10 O26 - for wet surfaces	
				Protection Class	
				1 I	
				2 II	

Code	Dimensions [mm] L W H	Pallet quantity	Quantity in package	Net weight [kg]
Type: STANDARD				
130222.5L42X.XX1	550 250 100	50	1	6.8
130222.5L01X.XX1	550 250 100	50	1	6.8
130222.5L02X.XX1	550 250 100	50	1	6.8
130222.5L43X.XX1	550 250 100	50	1	6.8
130222.5L13X.XX1	550 250 100	50	1	6.8
130222.5L14X.XX1	550 250 100	50	1	6.8
130222.5L44X.XX1	550 250 100	50	1	6.8
130222.5L04X.XX1	550 250 100	50	1	6.8
130222.5L05X.XX1	550 250 100	50	1	6.8
130222.5L45X.XX1	550 250 100	50	1	6.8
130222.5L07X.XX1	550 250 100	50	1	6.8
130222.5L08X.XX1	550 250 100	50	1	6.8
130222.5L46X.XX1	550 250 100	50	1	6.8
130222.5L10X.XX1	550 250 100	50	1	6.8
130222.5L11X.XX1	550 250 100	50	1	6.8
Type: O2P optics				
130222.5L731.111	550 250 100	50	1	6.8



Please note that the standard luminaire is not intended for use in an environment with an increased corrosivity category. The use of the luminaire for work in an environment for which additional corrosion protection is necessary requires the use of an index with the extension .985 (on request).

In order to apply the luminaire in an aggressive environment, for example with an increased concentration of sulfur, salt or other aggressive substances, a consultation with the LUG Technical Preparation of Production Branch is required.

Luminous flux tolerance +/- 10%.

Power tolerance +/- 5%.

Lighting beam, light intensity distribution and light efficiency were examined in accordance with the EN ISO 17025:2005 norm for EN13032 norm series and the LM-79 norm.

Up-to-date product info and General Warranty Terms available on our website www.luglightfactory.com

Detailed information on luminous fluxes and powers for individual indexes are indicated on the product data sheet.

The parameters in the data sheet are given for Ta=25°C.

OTHER PICTURES

Luminaire with tool-free access to the power supply chamber (on request)

Luminaire with holder for mounting on a $\varnothing 76$ mm pillar (on request)

ACCESSORIES

□ 150170.00818
■ 150173.00906

Wall bracket $\varnothing 60$ mm

Please note that the standard luminaire is not intended for use in an environment with an increased corrosivity category. The use of the luminaire for work in an environment for which additional corrosion protection is necessary requires the use of an index with the extension .985 (on request).

In order to apply the luminaire in an aggressive environment, for example with an increased concentration of sulfur, salt or other aggressive substances, a consultation with the LUG Technical Preparation of Production Branch is required.

Luminous flux tolerance +/- 10%.

Power tolerance +/- 5%.

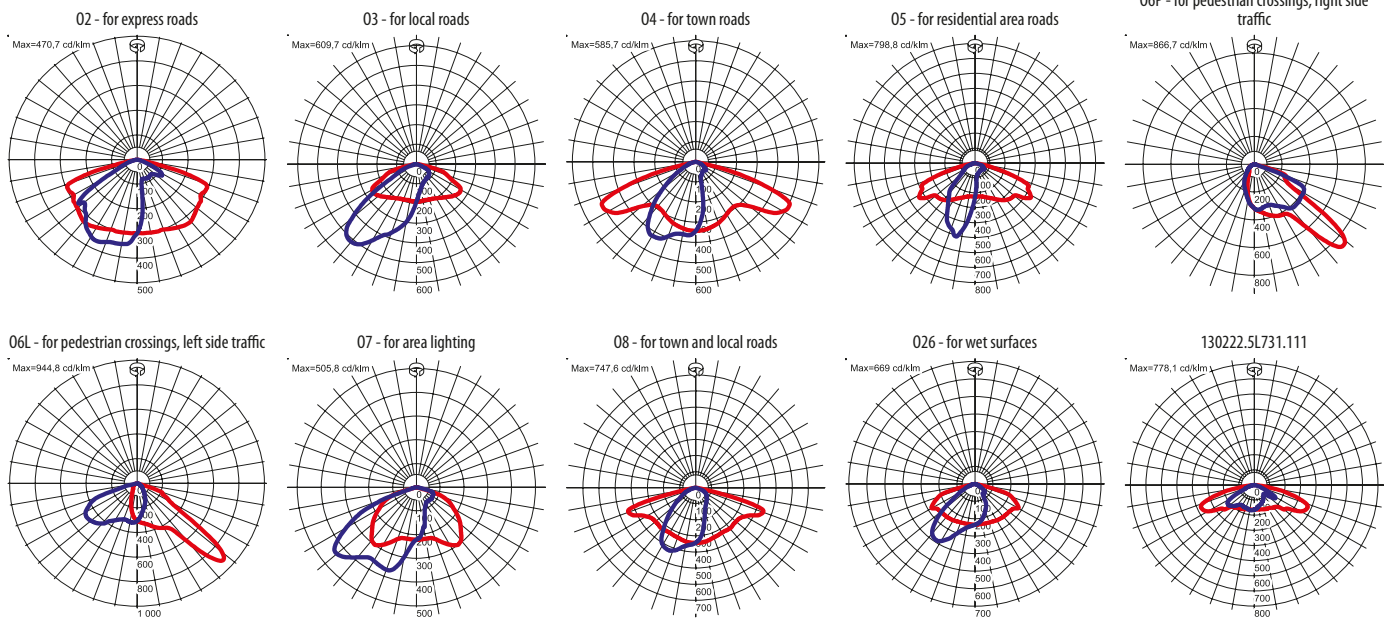
Lighting beam, light intensity distribution and light efficiency were examined in accordance with the EN ISO 17025:2005 norm for EN13032 norm series and the LM-79 norm.

Up-to-date product info and General Warranty Terms available on our website www.luglightfactory.com

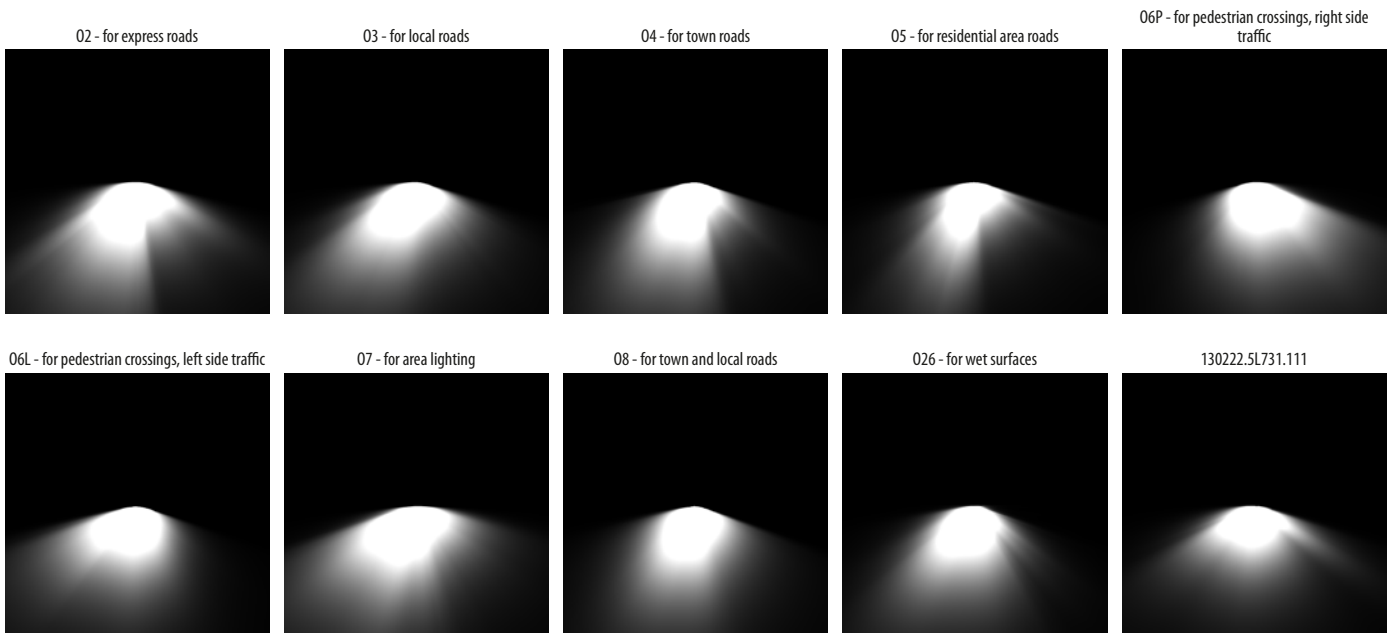
Detailed information on luminous fluxes and powers for individual indexes are indicated on the product data sheet.

The parameters in the data sheet are given for $T_a=25^{\circ}\text{C}$.

LIGHT BEAM CURVES



WAY OF LIGHTING



Please note that the standard luminaire is not intended for use in an environment with an increased corrosivity category. The use of the luminaire for work in an environment for which additional corrosion protection is necessary requires the use of an index with the extension .985 (on request).

In order to apply the luminaire in an aggressive environment, for example with an increased concentration of sulfur, salt or other aggressive substances, a consultation with the LUG Technical Preparation of Production Branch is required.

Luminous flux tolerance +/- 10%.

Power tolerance +/- 5%.

Lighting beam, light intensity distribution and light efficiency were examined in accordance with the EN ISO 17025:2005 norm for EN13032 norm series and the LM-79 norm.

Up-to-date product info and General Warranty Terms available on our website www.luglightfactory.com

Detailed information on luminous fluxes and powers for individual indexes are indicated on the product data sheet.

The parameters in the data sheet are given for $T_a=25^{\circ}\text{C}$.

OTHER PROJECTS

Sława, Lubuskie voivodeship, Poland



Zjednoczenia Avenue, Zielona Góra, Poland



Olszyna, Poland



LHL Hospital, Oslo, Norway



Preussen, Ludwigsfelde, Germany



Westerplatte, Zielona Góra, Poland

Please note that the standard luminaire is not intended for use in an environment with an increased corrosivity category. The use of the luminaire for work in an environment for which additional corrosion protection is necessary requires the use of an index with the extension .985 (on request).

In order to apply the luminaire in an aggressive environment, for example with an increased concentration of sulfur, salt or other aggressive substances, a consultation with the LUG Technical Preparation of Production Branch is required.

Luminous flux tolerance +/- 10%.

Power tolerance +/- 5%.

Lighting beam, light intensity distribution and light efficiency were examined in accordance with the EN ISO 17025:2005 norm for EN13032 norm series and the LM-79 norm.

Up-to-date product info and General Warranty Terms available on our website www.luglightfactory.com

Detailed information on luminous fluxes and powers for individual indexes are indicated on the product data sheet.

The parameters in the data sheet are given for $T_a=25^{\circ}\text{C}$.